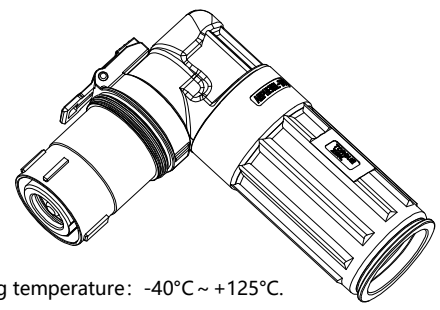
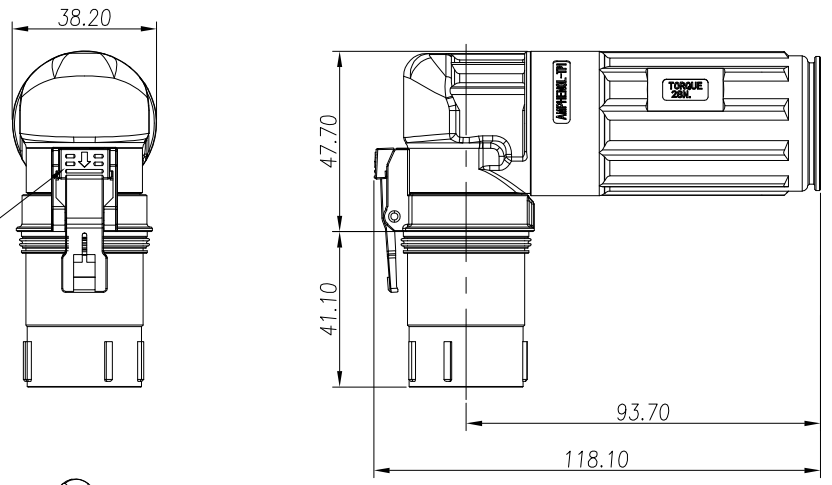


THIS DRAWING IS SUPPLIED FOR INFORMATION ONLY. DESIGN FEATURES, SPECIFICATIONS AND PERFORMANCE DATA SHOWN HEREON ARE THE PROPERTY OF THE AMPHENOL CORPORATION. NO RIGHTS OF REPRODUCTION ARE IMPLIED. ALL DIMENSIONS ARE SUBJECT TO NORMAL MANUFACTURING VARIATIONS.

| REVISIONS | | | | | | |
|-----------|------|-----|-----------------|----------|------|------|
| REV | ZONE | ECO | DESCRIPTION | DATE | BY | APPR |
| 01 | --- | --- | INITIAL RELEASE | 10/13/20 | Clay | JL |
| 02 | --- | --- | VERSION UPGRADE | 02/02/21 | Clay | JL |

Customer Drawing
Preliminary Drawing
Not For Production

按键颜色见“订购信息”
The color of press key see
“Ordering Information”

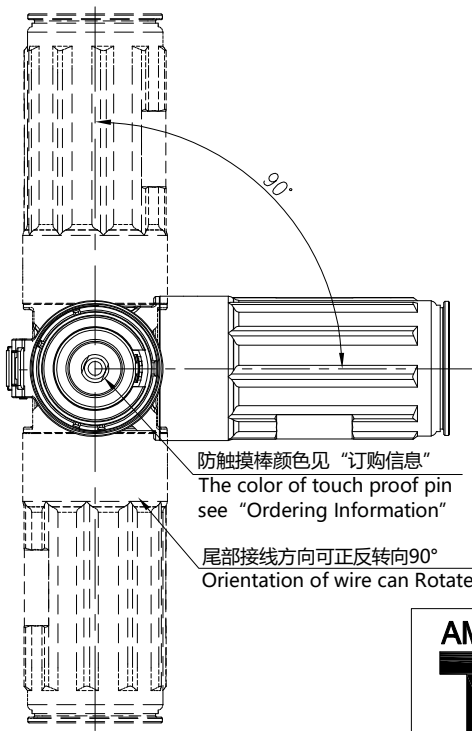


规格参数(Spec.):

- 1.工作温度 Operating temperature: -40°C ~ +125°C.
- 2.额定电流 Current rating(Connector Only):
150mm²-500A. 120mm²-400A. 95mm² -300A. 70mm²-250A
- 3.额定电压 Operating voltage:1000 VDC.
- 4.耐电压 Dielectric withstanding voltage: 5000 VDC.
- 5.防护等级 Protection class:IP67(Mating) & IP2X.
- 6.电磁屏蔽 Shielding.
- 7.机械寿命 Mating cycle:100 Min.
- 8.带自动二次锁扣 Automatic secondary lock.
- 9.带高压互锁 Electrical interlock (HVIL).
- 10.尾部接线方向可正反转向90° Rotate function of wire.

备注(Note):

- 1、对应插座请参照图纸: PL00-500.
Mating Rcpt. refer to drawing: PL00-500.
- 2、安装前请阅读“组装式插头安装规范”.
Pls read "connector assemble specification"
before assembling.



防触摸棒颜色见“订购信息”
The color of touch proof pin see
“Ordering Information”

尾部接线方向可正反转向90°
Orientation of wire can Rotate 90 Degrees

订购信息 Ordering Information

PL28 X - 50 1 - 150 - 5

| | | | |
|---|-----------------------------------|--|------------------------|
| 键位及颜色 Key & Color | 高压互锁 HVIL | 线缆大小 Cable Size | 线缆类型 Cable type |
| "X", 橙色 Orange "Y", 黑色 Black "U", 黄色 Yellow "V", 绿色 Green "W", 红色 Red | 0,不带互锁 No HVIL 1,带互锁 With HVIL | "150"=150mm ² "120"=120mm ² "95"=95mm ² "70"=70mm ² | 5=HS Cable |

Standard Part List (With HVIL)

| P/N | Model NO. | Cable OD |
|-------------|-----------------|----------|
| EX-HA006623 | PL28X-501-150-5 | 24.9±0.5 |
| EX-HA006624 | PL28Y-501-150-5 | |
| EX-HA006625 | PL28U-501-150-5 | |
| EX-HA006626 | PL28V-501-150-5 | |
| EX-HA006627 | PL28W-501-150-5 | |
| EX-HA006628 | PL28X-501-120-5 | 22.6±0.4 |
| EX-HA006629 | PL28Y-501-120-5 | |
| EX-HA006630 | PL28U-501-120-5 | |
| EX-HA006631 | PL28V-501-120-5 | |
| EX-HA006632 | PL28W-501-120-5 | |
| EX-HA006633 | PL28X-501-95-5 | 19.9±0.4 |
| EX-HA006634 | PL28Y-501-95-5 | |
| EX-HA006635 | PL28U-501-95-5 | |
| EX-HA006636 | PL28V-501-95-5 | |
| EX-HA006637 | PL28W-501-95-5 | |
| EX-HA006638 | PL28X-501-70-5 | 17.0±0.3 |
| EX-HA006639 | PL28Y-501-70-5 | |
| EX-HA006640 | PL28U-501-70-5 | |
| EX-HA006641 | PL28V-501-70-5 | |
| EX-HA006642 | PL28W-501-70-5 | |

Standard Part List (Without HVIL)

| P/N | Model NO. | Cable OD |
|-------------|-----------------|----------|
| EX-HA006677 | PL28X-500-150-5 | 24.9±0.5 |
| EX-HA006678 | PL28Y-500-150-5 | |
| EX-HA006679 | PL28U-500-150-5 | |
| EX-HA006680 | PL28V-500-150-5 | |
| EX-HA006681 | PL28W-500-150-5 | |
| EX-HA006682 | PL28X-500-120-5 | 22.6±0.4 |
| EX-HA006683 | PL28Y-500-120-5 | |
| EX-HA006684 | PL28U-500-120-5 | |
| EX-HA006685 | PL28V-500-120-5 | |
| EX-HA006686 | PL28W-500-120-5 | |
| EX-HA006687 | PL28X-500-95-5 | 19.9±0.4 |
| EX-HA006688 | PL28Y-500-95-5 | |
| EX-HA006689 | PL28U-500-95-5 | |
| EX-HA006690 | PL28V-500-95-5 | |
| EX-HA006691 | PL28W-500-95-5 | |
| EX-HA006692 | PL28X-500-70-5 | 17.0±0.3 |
| EX-HA006693 | PL28Y-500-70-5 | |
| EX-HA006694 | PL28U-500-70-5 | |
| EX-HA006695 | PL28V-500-70-5 | |
| EX-HA006696 | PL28W-500-70-5 | |

| | | | | | | | |
|----------------------|---|---------------------|------------|---|-------------|--|--|
| | Amphenol Technical Products International GZ | | | | | PART NAME: PowerLok 14mm-90 Plug Conn | |
| | 第三角投影 THIRD ANGLE PROJECTION | 页面 SHEET | 幅面 SIZE | 版次 REV. | 比例 SCALE | DWG NO: PL28X-501-150-5 | |
| 签名 SIGNATURE Clay | | 日期 DATE 02/02/21 | | UNLESS OTHERWISE SPECIFIED 1) All dimensions are in metric(mm). 2) Tolerances are as follows: 0 PL DEC ±1.00 1 PL DEC ±0.50 2 PL DEC ±0.20 | | CUST PART #: N/A | |
| 制图 DRAWN | | 审核 CHECKED | | 批准 APPROVAL | | CUST REV. - | |

F