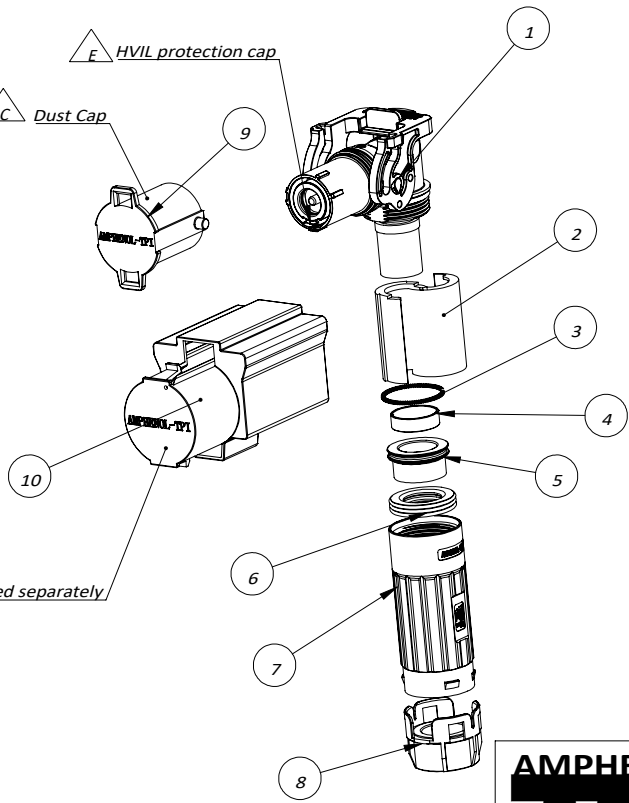


THIS DRAWING IS SUPPLIED FOR INFORMATION ONLY. DESIGN FEATURES, SPECIFICATIONS AND PERFORMANCE DATA SHOWN HEREON ARE THE PROPERTY OF THE AMPHENOL CORPORATION. NO RIGHTS OF REPRODUCTION ARE IMPLIED. ALL DIMENSIONS ARE SUBJECT TO NORMAL MANUFACTURING VARIATIONS.

1	2	3
型号 Model	Kit Package P/N	Bulk Package P/N
PL28X-300-50-2-5	AC-HA010890	AC-HA010890-2
PL28Y-300-50-2-5	AC-HA010891	AC-HA010891-2
PL28U-300-50-2-5	AC-HA010892	AC-HA010892-2
PL28V-300-50-2-5	AC-HA010893	AC-HA010893-2
PL28W-300-50-2-5	AC-HA010894	AC-HA010894-2
PL28T-300-50-2-5	AC-HA010895	AC-HA010895-2
PL28X-300-70-2-5	AC-HA010896	AC-HA010896-2
PL28Y-300-70-2-5	AC-HA010897	AC-HA010897-2
PL28U-300-70-2-5	AC-HA010898	AC-HA010898-2
PL28V-300-70-2-5	AC-HA010899	AC-HA010899-2
PL28W-300-70-2-5	AC-HA010900	AC-HA010900-2
PL28T-300-70-2-5	AC-HA010901	AC-HA010901-2
PL28X-301-50-2-5	AC-HA010914	AC-HA010914-2
PL28Y-301-50-2-5	AC-HA010915	AC-HA010915-2
PL28U-301-50-2-5	AC-HA010916	AC-HA010916-2
PL28V-301-50-2-5	AC-HA010917	AC-HA010917-2
PL28W-301-50-2-5	AC-HA010918	AC-HA010918-2
PL28T-301-50-2-5	AC-HA010919	AC-HA010919-2
PL28X-301-70-2-5	AC-HA010920	AC-HA010920-2
PL28Y-301-70-2-5	AC-HA010921	AC-HA010921-2
PL28U-301-70-2-5	AC-HA010922	AC-HA010922-2
PL28V-301-70-2-5	AC-HA010923	AC-HA010923-2
PL28W-301-70-2-5	AC-HA010924	AC-HA010924-2
PL28T-301-70-2-5	AC-HA010925	AC-HA010925-2

△ C

REVISIONS					
REV#	ECN#	REVISION ACTION	REV.BY:	APPR.BY:	DATE
A	--	INITIAL RELEASE	Jack	James	03/09/2020
B	--	增加表格信息	Star	James	10/29/2020
C	--	Add Package specification P/N And Add Dust Cap Protection Cap	Star	JL	03/04/2021
D	--	Change the temperature of technical points and remove HVIL Protection Cap	Star	JL	01/25/2022
E	--	Rated voltage increased from 1000V to 1500V, add HVIL protection cap, change operating temperature	JS	JL	08/09/2022
F	--	Change specification parameter	JY	JL	03/20/2023



△ C Note: Optional to be ordered separately

10	PL300 G2 1 POS plug protection cap	1	Order P/N AC-CP001615
9	PL300 G2 Dust cover for Plug	1	
8	PL300 G2 R/A Tail Cap H+S cable	1	Different P/N are used according to different Cable sizes
7	PL300 G2 Back Shell 14mm-90	1	Different P/N are used according to different Cable sizes
6	PL300 G2 cale sealing	1	Different P/N are used according to different Cable sizes
5	PL300 G2 Outer Copper Ring for R/A Plug	1	Different P/N are used according to different Cable sizes
4	PL300 G2 Inner Copper Ring	1	Different P/N are used according to different Cable sizes
3	PL300 G2 Canted Coil Spring for Plug	1	
2	PL300 G2 Plastic set	2	
1	PL300 G2 Front Shell 14mm-90 Assy	1	Different P/N are used according to different Cable sizes
ITEM	DESCRIPTION	QTY	REMARK

MATERIALS LIST

Amphenol Technical Products International Asia.

第三角投影 THIRD ANGLE PROJECTION	页面 SHEET	幅面 SIZE	版次 REV.	比例 SCALE	PART NAME: PL300 G2 1POS Right Angle Plug
2 OF 2	A4	F			

Key Characteristics Contact	△ Critical 关键特性	签名 SIGNATURE	日期 DATE	UNLESS OTHERWISE SPECIFIED 1) All dimensions are in metric(mm). 2) Tolerances are as follows: 1.PL DEC ± 1.00 2.PL DEC ± 0.50 3.PL DEC ± 0.20 Angles ±1°	DWG NO: PL28X-30X-XX-2-5	
Amphenol for Latest Definition	△ Significant 重要性	制图 DRAWN	Jeff.Yu		03/20/2023	CUST PART #
		审核 CHECKED				CUST REV.
		批准 APPROVAL				