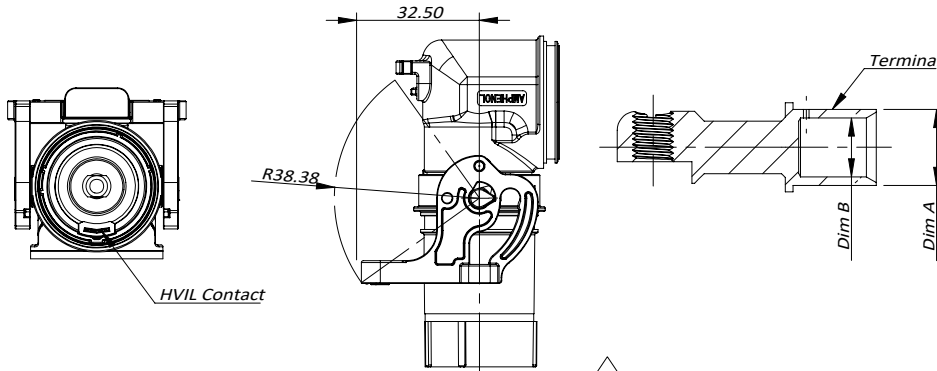
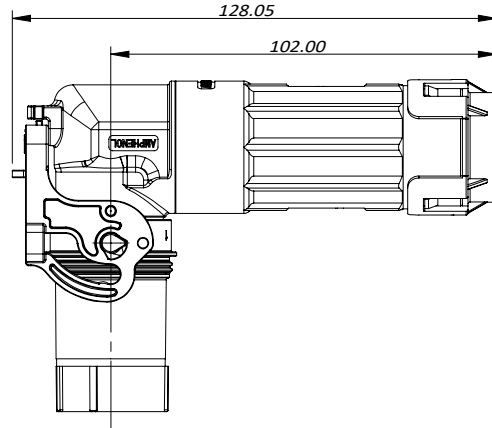
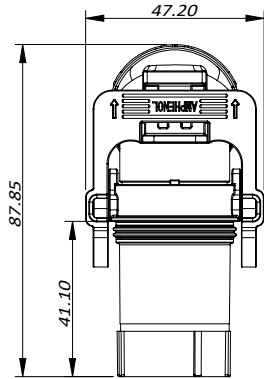
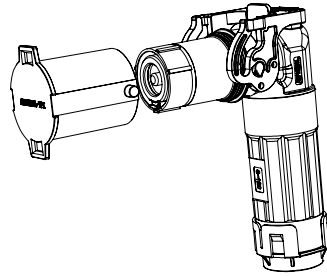


THIS DRAWING IS SUPPLIED FOR INFORMATION ONLY. DESIGN FEATURES, SPECIFICATIONS AND PERFORMANCE DATA SHOWN HEREON ARE THE PROPERTY OF THE AMPHENOL CORPORATION. NO RIGHTS OF REPRODUCTION ARE IMPLIED. ALL DIMENSIONS ARE SUBJECT TO NORMAL MANUFACTURING VARIATIONS.

CUSTOMER DRAWING



REVISIONS					
REV#	ECN#	REVISION ACTION	REV.BY:	APPR.BY:	DATE
A	--	INITIAL RELEASE	Jack	James	03/31/2020
B	--	增加表格信息	Star	James	10/29/2020
C	--	Add Dust Cap And Protection Cap	Star	James	12/30/2020
D	--	Change the temperature of technical points and remove HVIL Protection Cap	Star	JL	12/03/2021
E	--	Change operating temperature, voltage, add HVIL protection cap	JS	JL	08/11/2022

订购信息 Ordering Information

PL28 X - 50 1 - 95 - 2 - 5

Key and Color	HVIL	Cable size:	Cable Type:
"X", Orange	"0", NO HVIL	"70"=70mm ²	"-5", Huber+Suhner
"Y", Black	"1", With HVIL	"95"=95mm ²	
"U", Yellow		"120"=120mm ²	
"V", Green			
"W", Red			
"T", Blue			

规格参数(Spec.):

- 工作温度 Operating temperature: -40°C ~ +125°C. △ E
- 带高压互锁 Electrical interlock (HVIL).
- 额定电流 Current rating:
Power: 70mm², 250A; 95mm², 300A; 120mm², 400A; HVIL: 5A.
- 额定电压 Operating voltage:
Power: 1500 VDC; Signal: 60 VDC. △ E
- 耐电压 Dielectric withstanding voltage:
 - 与插座对插后, Pin与铁壳之间
When mated, between pin and metal shell: 6000 VDC. △ E
 - 与插座对插后, Pin与HVIL之间
When mated, between pin and HVIL: 6000 VDC. △ E
 - 与插座对插后, HVIL与铁壳之间
When mated, between HVIL and metal shell: 500 VDC.
 - 与插座对插前, 两个HVIL端子之间耐压
Before mating, between two HVIL terminals: 500 VDC.
- 防护等级 Protection class: Mated-IP6k9k & IP67, unmated-IP2X.
- 电磁屏蔽 360° full Shielding.
- 机械寿命 Mating cycle: 100 Min.
- 带CPA的摇杆系统 Latch system with CPA.
- 绝缘材料满足UL94 V-0 Inner insulation material satisfy UL94V-0.
- 镀灰锌/镀锌合金, 符合RoHS, 满足500H中性盐雾实验
Gray Zinc/Nickel(ZnNi)Plating. RoHS compliant, Rated at 500hours salt spray.
- 对配插座型号: Model of mating receptacle: PL00(X)-50(X)-10(XX)-2.
- 产品满足RoHS和Reach要求. RoHS and Reach compliant. △ E
- 绝缘体为140°RTI材料. The insulators are 140° RTI material. △ E

Standard Part List:

Model No.	H+S Part No.	Dia. Primary Insulation(mm)	Dia. of Screen max. (mm)	Overall-Dia. Nominal(mm)	Outside-Dia. of terminal(mm): "A"	Inside-Dia. of terminal(mm): "B"
PL28(X)-50X-70-2-5	84100298	13.7±0.3	14.6	17.0±0.3	16.7±0.3	12.2±0.3
PL28(X)-50X-95-2-5	84100299	16.2±0.3	17.3	19.9±0.4	17.9±0.3	13.9±0.3
PL28(X)-50X-120-2-5	84103410	18.0±0.3	19.1	22.6±0.4	20.1±0.3	15.6±0.3



Amphenol Technical Products International Asia.

第三角投影 THIRD ANGLE PROJECTION	页面 SHEET	幅面 SIZE	版次 REV.	比例 SCALE	PART NAME:
	1 OF 2	A4	E		PL14mm G2 Right Angle Plug
签名 SIGNATURE	日期 DATE	UNLESS OTHERWISE SPECIFIED			DWG NO:
制图 DRAWN	July.su	1) All dimensions are in metric(mm). 2) Tolerances are as follows:			PL28X-50X-XX-2-5
审核 CHECKED		1.PL DEC ± 1.00 2.PL DEC ± 0.50 3.PL DEC ± 0.20			CUST PART #
批准 APPROVAL		Angles ±1°			CUST REV.

Key Characteristics Contact
Amphenol for Latest Definition
Critical 关键特性
Significant 重要特性

1

2

3

4

5

6

7

8

THIS DRAWING IS SUPPLIED FOR INFORMATION ONLY. DESIGN FEATURES, SPECIFICATIONS AND PERFORMANCE DATA SHOWN HEREON ARE THE PROPERTY OF THE AMPHENOL CORPORATION. NO RIGHTS OF REPRODUCTION ARE IMPLIED. ALL DIMENSIONS ARE SUBJECT TO NORMAL MANUFACTURING VARIATIONS.

1	2	3	4	5	6	7	8																																												
型号 Model	Kit Package P/N	Bulk Package P/N	REVISIONS																																																
PL28X-501-95-2-5	AC-HA011945	AC-HA011945-2	REV#	ECN#	REVISION ACTION	REV.BY:	APPR.BY:	DATE																																											
PL28Y-501-95-2-5	AC-HA011946	AC-HA011946-2	A	--	INITIAL RELEASE	Jack	James	03/31/2020																																											
PL28U-501-95-2-5	AC-HA011947	AC-HA011947-2	B	--	增加表格信息	Star	James	10/29/2020																																											
PL28V-501-95-2-5	AC-HA011948	AC-HA011948-2	C	--	Add Dust Cap And Protection Cap	Star	James	12/30/2020																																											
PL28W-501-95-2-5	AC-HA011949	AC-HA011949-2	D	--	Change the temperature of technical points and remove HVIL Protection Cap	Star	JL	12/03/2021																																											
PL28T-501-95-2-5	AC-HA011950	AC-HA011950-2	E	--	Change operating temperature, voltage, add HVIL protection cap	JS	JL	08/11/2022																																											
PL28X-500-95-2-5	AC-HA011951	AC-HA011951-2																																																	
PL28Y-500-95-2-5	AC-HA011952	AC-HA011952-2																																																	
PL28U-500-95-2-5	AC-HA011953	AC-HA011953-2																																																	
PL28V-500-95-2-5	AC-HA011954	AC-HA011954-2																																																	
PL28W-500-95-2-5	AC-HA011955	AC-HA011955-2																																																	
PL28T-500-95-2-5	AC-HA011956	AC-HA011956-2																																																	
PL28X-501-120-2-5	AC-HA011957	AC-HA011957-2																																																	
PL28Y-501-120-2-5	AC-HA011958	AC-HA011958-2																																																	
PL28U-501-120-2-5	AC-HA011959	AC-HA011959-2																																																	
PL28V-501-120-2-5	AC-HA011960	AC-HA011960-2																																																	
PL28W-501-120-2-5	AC-HA011961	AC-HA011961-2																																																	
PL28T-501-120-2-5	AC-HA011962	AC-HA011962-2																																																	
PL28X-500-120-2-5	AC-HA011963	AC-HA011963-2																																																	
PL28Y-500-120-2-5	AC-HA011964	AC-HA011964-2																																																	
PL28U-500-120-2-5	AC-HA011965	AC-HA011965-2																																																	
PL28V-500-120-2-5	AC-HA011966	AC-HA011966-2																																																	
PL28W-500-120-2-5	AC-HA011967	AC-HA011967-2																																																	
PL28T-500-120-2-5	AC-HA011968	AC-HA011968-2																																																	
PL28X-501-70-2-5	AC-HA012906	AC-HA012906-2																																																	
PL28Y-501-70-2-5	AC-HA012907	AC-HA012907-2																																																	
PL28U-501-70-2-5	AC-HA012908	AC-HA012908-2																																																	
PL28V-501-70-2-5	AC-HA012909	AC-HA012909-2																																																	
PL28W-501-70-2-5	AC-HA012910	AC-HA012910-2																																																	
PL28T-501-70-2-5	AC-HA012911	AC-HA012911-2																																																	
PL28X-500-70-2-5	AC-HA012912	AC-HA012912-2																																																	
PL28Y-500-70-2-5	AC-HA012913	AC-HA012913-2																																																	
PL28U-500-70-2-5	AC-HA012914	AC-HA012914-2																																																	
PL28V-500-70-2-5	AC-HA012915	AC-HA012915-2																																																	
PL28W-500-70-2-5	AC-HA012916	AC-HA012916-2																																																	
PL28T-500-70-2-5	AC-HA012917	AC-HA012917-2																																																	
<p> Note: Optional to be ordered separately</p>			<table border="1"> <thead> <tr> <th>ITEM</th> <th>DESCRIPTION</th> <th>QTY</th> <th>REMARK</th> </tr> </thead> <tbody> <tr> <td>10</td> <td>PL500 G2 1 POS plug protection cap</td> <td>1</td> <td>Order P/N AC-CP001600</td> </tr> <tr> <td>9</td> <td>PL500 G2 Dust cover for Plug</td> <td>1</td> <td></td> </tr> <tr> <td>8</td> <td>PL500 G2 R/A Tail Cap H+S cable</td> <td>1</td> <td>Different P/N are used according to different Cable sizes</td> </tr> <tr> <td>7</td> <td>PL500 G2 Back Shell 14mm-90</td> <td>1</td> <td>Different P/N are used according to different Cable sizes</td> </tr> <tr> <td>6</td> <td>PL500 G2 cale sealing</td> <td>1</td> <td>Different P/N are used according to different Cable sizes</td> </tr> <tr> <td>5</td> <td>PL500 G2 Outer Copper Ring for R/A Plug</td> <td>1</td> <td>Different P/N are used according to different Cable sizes</td> </tr> <tr> <td>4</td> <td>PL500 G2 Inner Copper Ring</td> <td>1</td> <td>Different P/N are used according to different Cable sizes</td> </tr> <tr> <td>3</td> <td>PL500 G2 Canted Coil Spring for Plug</td> <td>1</td> <td></td> </tr> <tr> <td>2</td> <td>PL500 G2 Plastic set</td> <td>2</td> <td></td> </tr> <tr> <td>1</td> <td>PL500 G2 Front Shell 14mm-90 Assy</td> <td>1</td> <td>Different P/N are used according to different Cable sizes</td> </tr> </tbody> </table>					ITEM	DESCRIPTION	QTY	REMARK	10	PL500 G2 1 POS plug protection cap	1	Order P/N AC-CP001600	9	PL500 G2 Dust cover for Plug	1		8	PL500 G2 R/A Tail Cap H+S cable	1	Different P/N are used according to different Cable sizes	7	PL500 G2 Back Shell 14mm-90	1	Different P/N are used according to different Cable sizes	6	PL500 G2 cale sealing	1	Different P/N are used according to different Cable sizes	5	PL500 G2 Outer Copper Ring for R/A Plug	1	Different P/N are used according to different Cable sizes	4	PL500 G2 Inner Copper Ring	1	Different P/N are used according to different Cable sizes	3	PL500 G2 Canted Coil Spring for Plug	1		2	PL500 G2 Plastic set	2		1	PL500 G2 Front Shell 14mm-90 Assy	1	Different P/N are used according to different Cable sizes
ITEM	DESCRIPTION	QTY	REMARK																																																
10	PL500 G2 1 POS plug protection cap	1	Order P/N AC-CP001600																																																
9	PL500 G2 Dust cover for Plug	1																																																	
8	PL500 G2 R/A Tail Cap H+S cable	1	Different P/N are used according to different Cable sizes																																																
7	PL500 G2 Back Shell 14mm-90	1	Different P/N are used according to different Cable sizes																																																
6	PL500 G2 cale sealing	1	Different P/N are used according to different Cable sizes																																																
5	PL500 G2 Outer Copper Ring for R/A Plug	1	Different P/N are used according to different Cable sizes																																																
4	PL500 G2 Inner Copper Ring	1	Different P/N are used according to different Cable sizes																																																
3	PL500 G2 Canted Coil Spring for Plug	1																																																	
2	PL500 G2 Plastic set	2																																																	
1	PL500 G2 Front Shell 14mm-90 Assy	1	Different P/N are used according to different Cable sizes																																																
MATERIALS LIST																																																			
		Amphenol Technical Products International Asia.																																																	
		第三角投影 THIRD ANGLE PROJECTION	页面 SHEET	幅面 SIZE	版次 REV.	比例 SCALE	PART NAME: PL14mm G2 Right Angle Plug																																												
签名 SIGNATURE	日期 DATE	UNLESS OTHERWISE SPECIFIED 1) All dimensions are in metric(mm). 2) Tolerances are as follows: 1.PL DEC ± 1.00 2.PL DEC ± 0.50 3.PL DEC ± 0.20			DWG NO: PL28X-50X-XX-2-5	CUST PART #	CUST REV.																																												
制图 DRAWN	审核 CHECKED	批准 APPROVAL	Angles ±1°																																																

Key Characteristics Contact Amphenol for Latest Definition

Critical 关键特性
 Significant 重要性