

C-HVSL362062XXXXI

PART NUMBERING SCHEME

REV	ECN	DESCRIPTION	DATE	MODIFIED
C	C2711	Add dims for 6mm ² components see table 2 in sheet 2	2018-01-25	Rock
D	C2841	ADJUST THE OD OF CABLE	May-17-18	Rock
E	C3324N	ADD 16SQ WIRE SIZE AND UPDATE P/N	May-14-19	LUK

Single shielded cable

Wire size: 16: 16mm² shielded wire

10: 10mm² shielded wire

06: 6mm² shielded wire

Interlock option

1:yes
0:no

Key option:A,B,C,D,E

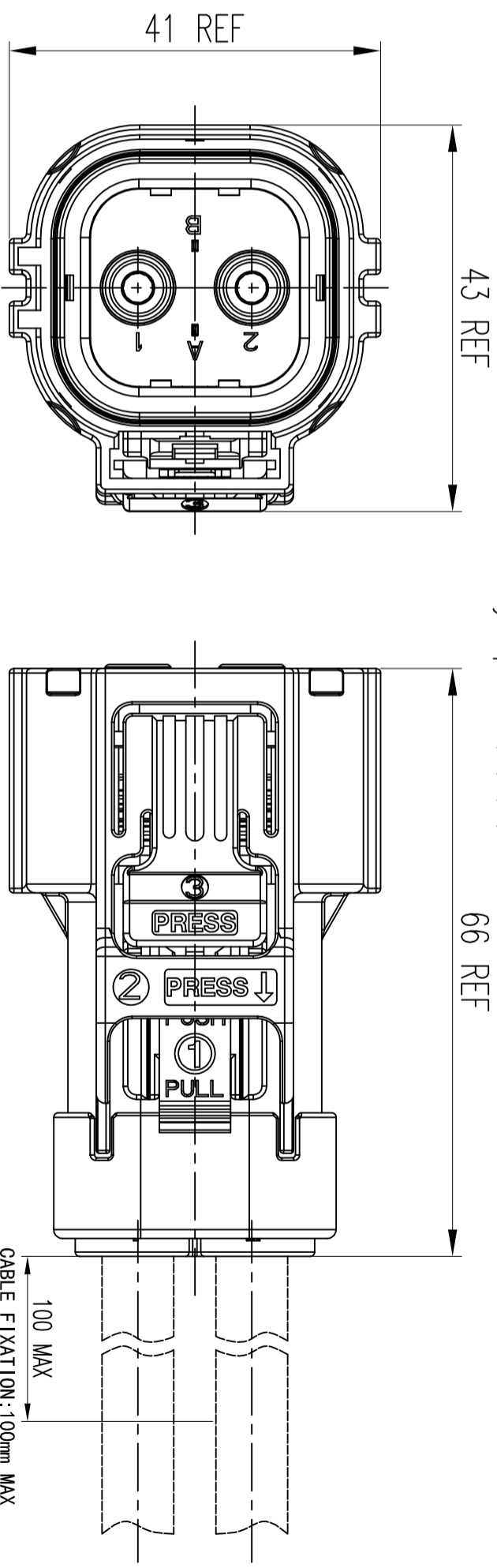
安费诺精密连接器(深圳)有限公司
Amphenol PCD Shenzhen
受控文件
2019年5月23日

Material
Housing : PA66 UL94-V0
Contacts: Copper alloy,Ag plated
Shield: Copper alloy,Tin plated
Sed: Silicone
Ferrule: Copper alloy,Tin plated

APPLICATION: POLLUTION DEGREE II
OVERVOLTAGE CATEGORY II
INHOMOGENEOUS FIELD
ALTITUDE NO MORE THAN 2000M

★ IS CRITICAL CHARACTERISTIC SYMBOL/为关键特性
◎ IS IMPORTANT CHARACTERISTIC SYMBOL/为重要特性

TECHINCAL DATA	SPECIAL CHARACTERISTICS SYMBOL
VOLTAGE RATING	1000V DC
WITHSTAND VOLTAGE	3000V AC
INSULATION RESISTANCE	>100M Ω
CURRENT RATING	SIGNAL CONTACT
	POWER CONTACT
WATER PROOF (MATED CONDITION)	IP67
IP FOR FINGER TOUCH (UNMATED CONDITION)	IP2XB
SHIELDING FUNCTION	YES
MAX MATING CYCLES	50 TIMES
OPERATION TEMP.	-40-125°C
WIRE RANGE	6-16mm ²



*NOTES:
1.HVSL362062A1101 shown in this sheet
2.Recommend OD of shielded wire: 6mm²: ϕ 6.10- ϕ 6.50mm;10mm²: ϕ 8.4mm- ϕ 8.8mm; 16mm²: ϕ 9.10- ϕ 9.90mm
3.Power contact should be ordered separately,see below table
4.Wire range:6mm²-16mm²
5.RoHS compliance

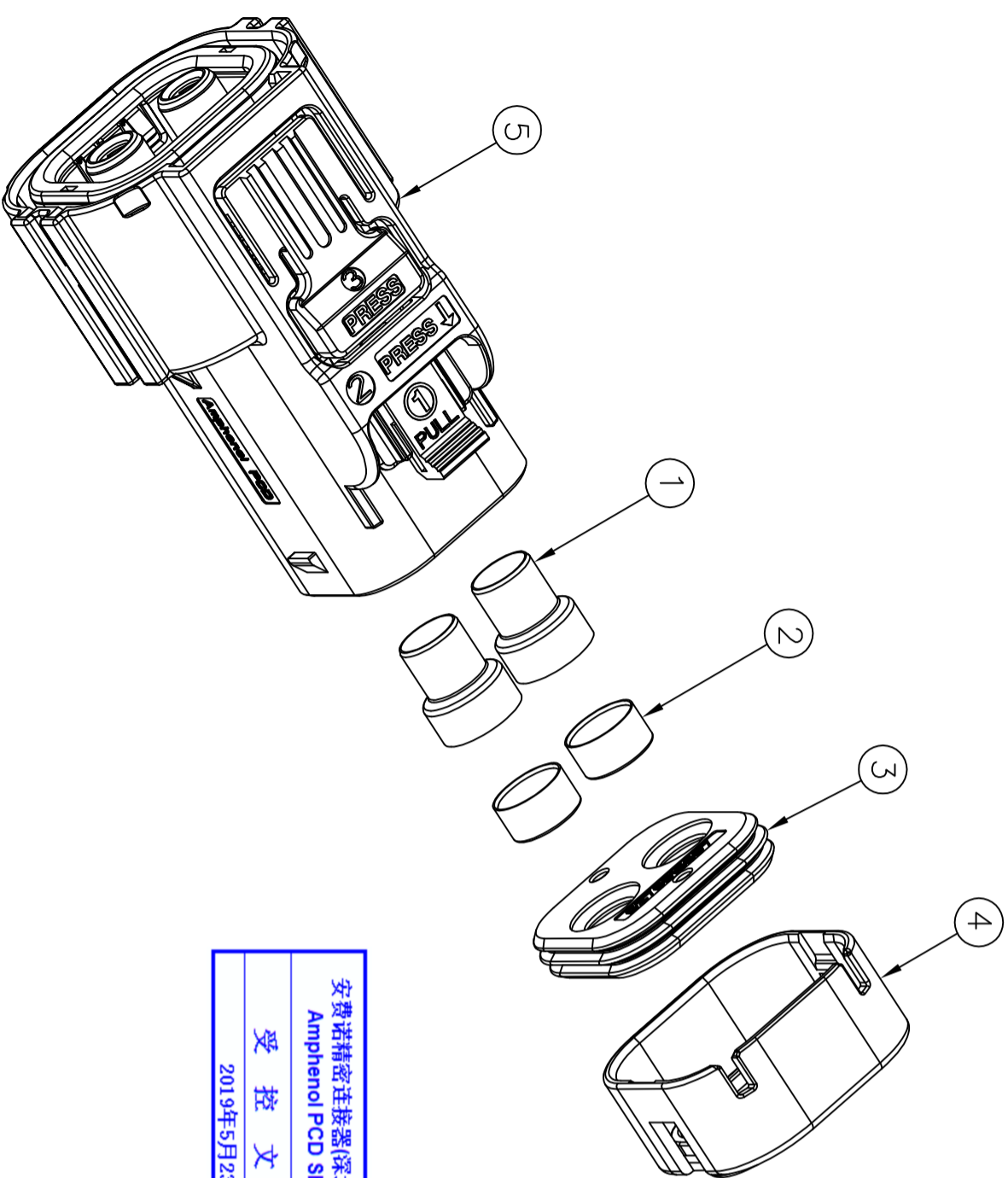
CABLE FIXATION:100mm MAX
距离连接器尾部100mm内线缆需要固定,线缆不能有摆动或转动

Assembly P/N	Wire size	Power contact P/N	Usage
HVSL362062X106I	6mm ²	C3100235021	2Pcs
HVSL362062X110I	10mm ²		2Pcs
HVSL362062X116I	16mm ²	P03B500080	2Pcs
HVSL362062X116I	16mm ²	P03B9M0196	2Pcs

DIMENSIONS	TOLERANCES	PROJECTION	TITLE
ANSI Y14.5M UNITS: MM CAD FILE	X \pm 0.5 .XX \pm 0.05 ANGLES \pm 2°		HVSL362 2P PLUG 6-16mm² WIRE SIZE
ORIGINAL	THIS DOCUMENT CONTAINS PROPRIETARY INFORMATION WHICH IS THE CONFIDENTIAL PROPERTY OF AMPHENOL PCD SHENZHEN	CHKD Rock 2017.07.27	SIZE A3 DWG NO. C-HVSL362062XXXXI SCALE NONE SHEET 1 OF 3

C-HVSL362062XXXXI

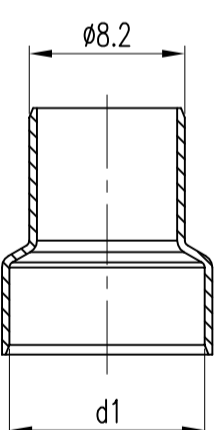
C-HVSL362062XXXXI



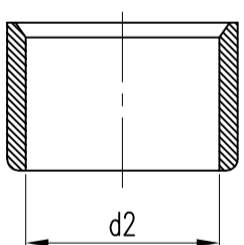
C-HVSL362062XXXXX1

Table 1

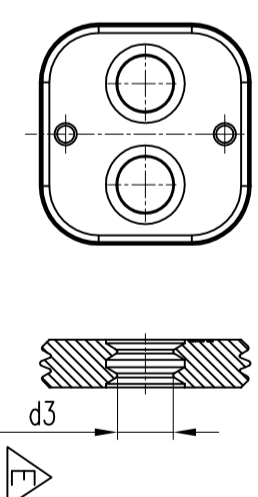
HVSL362062XX06I	5	HVSL362062XY(X=A,B,C,D,E;Y=0,1)	1	6mm ² SHIELD CABLE OD=ø6.10-ø6.50mm
	4	P03BP00016	1	
	3	P03BR000017	1	
	2	C4200011202	2	
	1	C4200011603	2	
HVSL362062XX10I	5	HVSL362062XY(X=A,B,C,D,E;Y=0,1)	1	10mm ² SHIELD CABLE OD=ø8.40-ø8.80mm
	4	C4220011906	1	
	3	C4270011607	1	
	2	C4200011902	2	
	1	C4200011901	2	
HVSL362062XX16I	5	HVSL362062XYS1(X=A,B,C,D,E;Y=0,1)	1	16mm ² SHIELD CABLE OD=ø9.10-ø9.90mm
	4	P03BP00002	1	
	3	P03BR00001	1	
	2	P03BS00002	2	
	1	P03BS00001	2	
Assembly P/N	ITEM	COMPONENT P/N	QTY	REMARKS



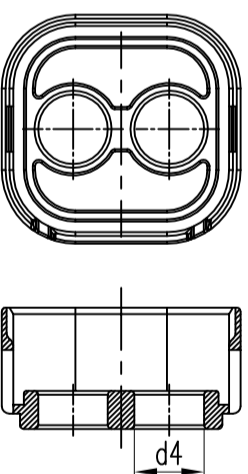
ITEM1	Wire size	PART NUMBER	DIM "d1"
ITEM1	6mm~2	C4200011603	ø8.55
	10mm~2	C4200011901	ø10.3
	16mm~2	P03BS00001	ø11.4



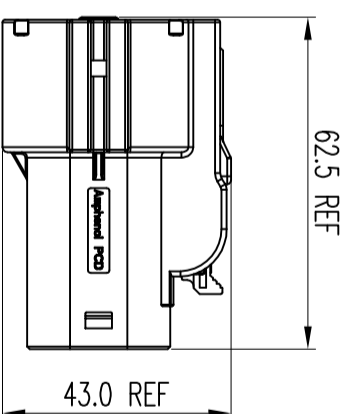
ITEM2	Wire size	PART NUMBER	DIM "d2"
ITEM2	6mm~2	C4200011202	ø6.55
	10mm~2	C4200011902	ø8.8
	16mm~2	P03BS00002	ø9.9



ITEM3	Wire size	PART NUMBER	DIM "d3"
ITEM3	6mm~2	P03BR000017	ø5.2
	10mm~2	C4270011607	ø7.0
	16mm~2	P03BR00001	ø7.8



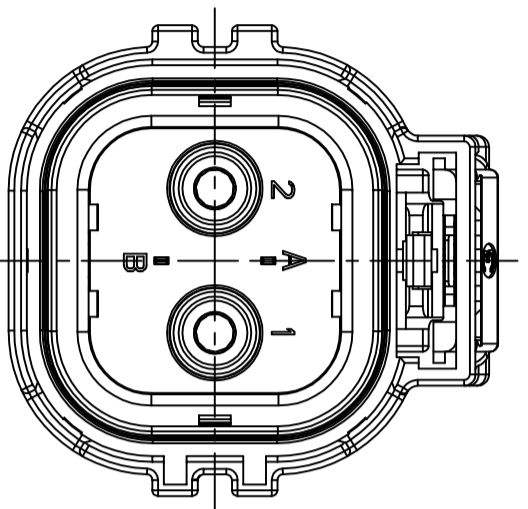
ITEM4	Wire size	PART NUMBER	DIM "d4"
ITEM4	6mm~2	P03BP00016	ø7.2
	10mm~2	C4220011906	ø9.2
	16mm~2	P03BP00002	ø10.2



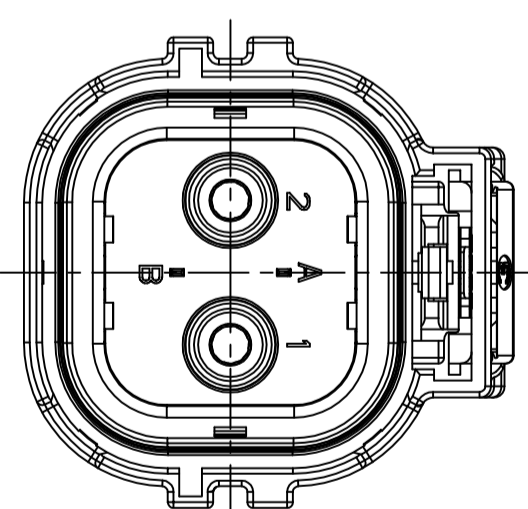
ITEM5	Wire size	PART NUMBER
ITEM5	10mm~2	HVSL362062XY
	6mm~2	(X=A,B,C,D,E;Y=0,1)
	16mm~2	HVSL362062XYS1
		(X=A,B,C,D,E;Y=0,1)

Table 2

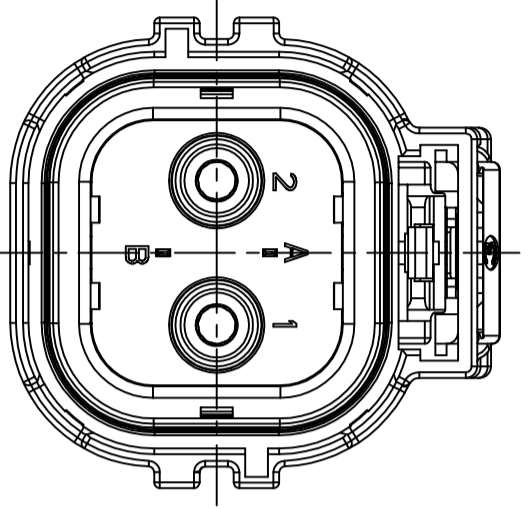
SIZE	DWG NO.	SCALE	SHEET	REV
A3	C-HVSL362062XXXXX1	NONE	2 OF 3	E
CODE:				



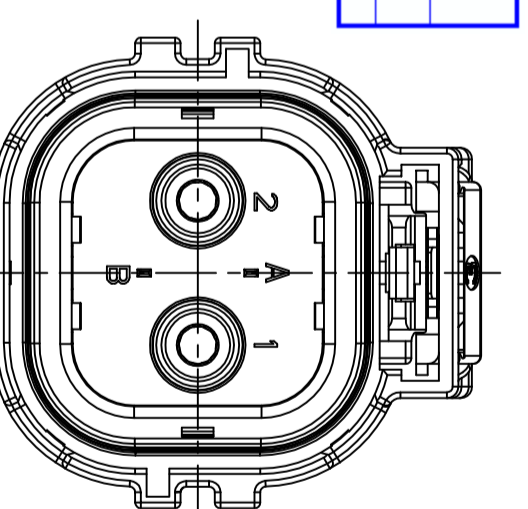
KEY A
HVSL362062AXXXI



KEY D
HVSL362062DXXXI

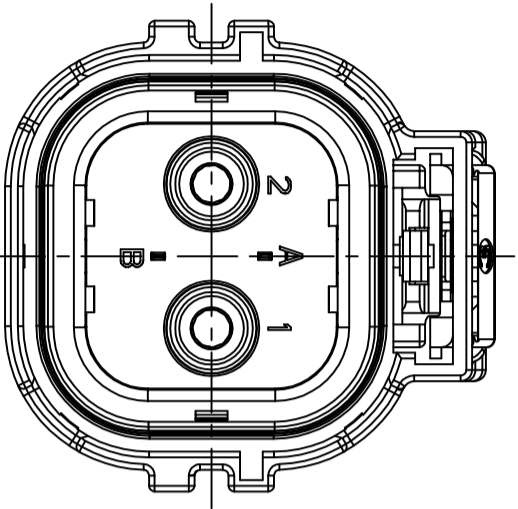


KEY B
HVSL362062BXXXI



KEY E
HVSL362062EXXXI

安费诺精密连接器(深圳)有限公司
Amphenol PCD Shenzhen
受控文件
2019年5月23日



KEY C
HVSL362062CXXXI

SIZE	DWG NO.	REV
A3	C-HVSL362062XXXXI	E
CODE:	SCALE	SHEET
	NONE	3 OF 3