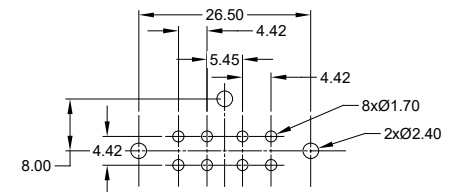
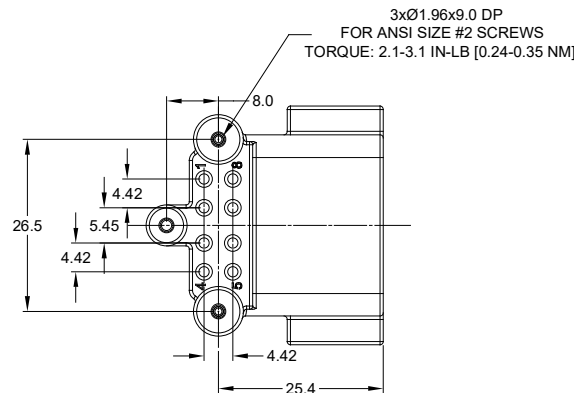


REVISIONS					
REV	ECO	DESCRIPTION	DATE	BY	APPR
A1	-	RELEASE	25/MAR/19	BROOK	TOMMY
A2	-	MODIFIED DESCRIPTION	12JUL19	BROOK	TOMMY

NOTES: UNLESS OTHERWISE SPECIFIED

SEE SHEET 2 FOR KEY ARRANGEMENTS AND COLORS.

2. MATERIAL:
 - HOUSING: THERMOPLASTIC; COLOR: SEE SHEET 2
 - CONTACT: COPPER ALLOY
 - PLATING: NICKEL UNDERPLATE
 - SEE CHART FOR OVERALL FINISH
3. MODIFICATIONS: RIGHT ANGLE PCB MOUNT, SCREW BOSS
4. SPECIFICATIONS:
 - 4.1 CURRENT RATING: 13 AMPS
 - 4.2 OPERATING TEMPERATURE: -55°C TO +125°C
 - 4.3 DIELECTRIC WITHSTANDING VOLTAGE: LESS THAN 2 MILLIAMPS CURRENT LEAKAGE @ 1500 VOLTS AC.
 - 4.4 INSULATION RESISTANCE: 1000 MEGOHMS MIN @ 25°C.
 - 4.5 MOISTURE RESISTANCE: IP67 (MATED CONDITION)
 - 4.6 MATING CYCLE DURABILITY: 100 CYCLES
 - 4.7 RoHS COMPLIANT
5. MATING PART: AT06-08SX* PLUG
(X = A,B,C,D KEYS; * = MODIFICATIONS AND COLORS)
6. ALL DIMENSIONS ARE FOR REFERENCE USE ONLY.



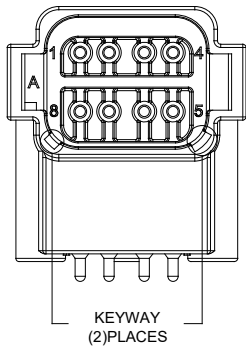
RECOMMENDED PCB LAYOUT

SEE PART NUMBER CHART		DESCRIPTION		ITEM
QUANTITY	PART NUMBER	MATERIALS LIST		
UNLESS OTHERWISE SPECIFIED		SIGNATURES		DATE
1) All dimensions are in metric (mm).		DRAWN: BROOK.DING	12/JUL/19	
2) Tolerances are as follows:		CHECKED: ORION.LI	12/JUL/19	
1 PL DEC ±0.30 Fractions ±1/64		ENGINEER:		
2 PL DEC ±0.15 Angles ±1°		APPROVAL: TOMMY.XIE	12/JUL/19	
3 PL DEC ±0.08		CUSTOMER:		
3) Note reference =		THIS DRAWING IS SUPPLIED FOR INFORMATION ONLY. DESIGN FEATURES, SPECIFICATIONS AND PERFORMANCE DATA SHOWN HEREON ARE THE PROPERTY OF THE AMPHENOL CORPORATION. NO RIGHTS OF REPRODUCTION ARE IMPLIED. ALL DIMENSIONS ARE SUBJECT TO NORMAL MANUFACTURING VARIATIONS.		
MATERIAL SPECIFICATIONS:		<p style="text-align: center;">Amphenol</p> <p style="text-align: center;">Sine Systems - www.amphenol-sine.com 44724 Morley Drive Clinton Township, MI 48036</p>		
PROCESS SPECIFICATIONS:		<p style="text-align: center;">RIGHT ANGLE RECEPTACLE, AT 8 PIN, SCREW BOSS, BOARDLOCK, EXT. HGT</p>		
NEXT ASSY:		SIZE: B C-	DWG NO: ATF13-08PX-BM3X	REVISION: A2
		SCALE: NONE	SHEET 1 OF 2	

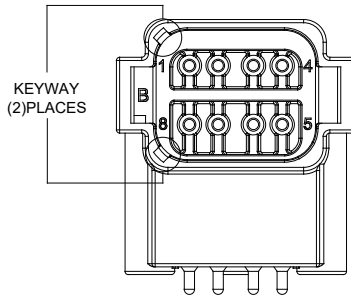
TITLE: RIGHT ANGLE RECEPT, AT 8 PIN, SCREW BOSS, BOARDLOCK, EXT. HGT
DWG NO: ATF13-08PX-BM3X
REV: A2
SH: 1
OF: 2

REVISIONS					
REV	ECO	DESCRIPTION	DATE	BY	APPR
A1	-	RELEASE	25/MAR/19	BROOK	TOMMY
A2	-	MODIFIED DESCRIPTION	12JUL19	BROOK	TOMMY

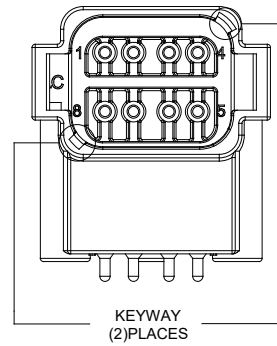
P/N ATF13-08PA-BM3X
KEY-A CONFIGURATION
COLOR: GREY



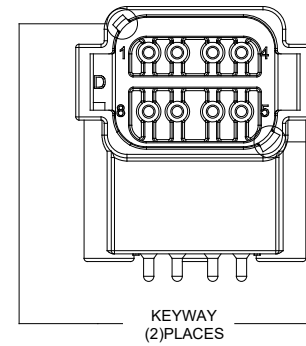
P/N ATF13-08PB-BM3X
KEY-B CONFIGURATION
COLOR: BLACK



P/N ATF13-08PC-BM3X
KEY-C CONFIGURATION
COLOR: GREEN



P/N ATF13-08PD-BM3X
KEY-D CONFIGURATION
COLOR: BROWN



ATF13-08PA-BM3X VARIANTS	
CONTACT PLATING	PART NUMBER
GOLD	ATF13-08PA-BM31
TIN	ATF13-08PA-BM33

ATF13-08PB-BM3X VARIANTS	
CONTACT PLATING	PART NUMBER
GOLD	ATF13-08PB-BM31
TIN	ATF13-08PB-BM33

ATF13-08PC-BM3X VARIANTS	
CONTACT PLATING	PART NUMBER
GOLD	ATF13-08PC-BM31
TIN	ATF13-08PC-BM33

ATF13-08PD-BM3X VARIANTS	
CONTACT PLATING	PART NUMBER
GOLD	ATF13-08PD-BM31
TIN	ATF13-08PD-BM33

SEE PART NUMBER CHART		PART NUMBER		DESCRIPTION		ITEM
QUANTITY		MATERIALS LIST				
UNLESS OTHERWISE SPECIFIED: 1) All dimensions are in metric(mm). 2) Tolerances are as follows: 1 PL DEC ±0.30 Fractions ±1/64 2 PL DEC ±0.15 Angles ±1° 3) Note reference =		SIGNATURES		DATE		
DRAWN: BROOK DING		12/JUL/19				
CHECKED: ORION LI		12/JUL/19				
ENGINEER:		APPROVAL: TOMMY XIE		12/JUL/19		
MATERIAL SPECIFICATIONS:		CUSTOMER:				
PROCESS SPECIFICATIONS:		THIS DRAWING IS SUPPLIED FOR INFORMATION ONLY. DESIGN FEATURES, SPECIFICATIONS AND PERFORMANCE DATA SHOWN HEREON ARE THE PROPERTY OF THE AMPHENOL CORPORATION. NO RIGHTS OF REPRODUCTION ARE IMPLIED. ALL DIMENSIONS ARE SUBJECT TO NORMAL MANUFACTURING VARIATIONS.				
NEXT ASSY:		SCALE: NONE		SHEET 2 OF 2		
		SIZE: B C-		DWG NO: ATF13-8PX-BM3X		REVISION: A2

TITLE: RIGHT ANGLE RECEPT AT 8 PIN SCREW BOSS BOARD LOCK EXT HGT
DWG NO: ATF13-8PX-BM3X
REV: A2
SH: 2
OF: 2