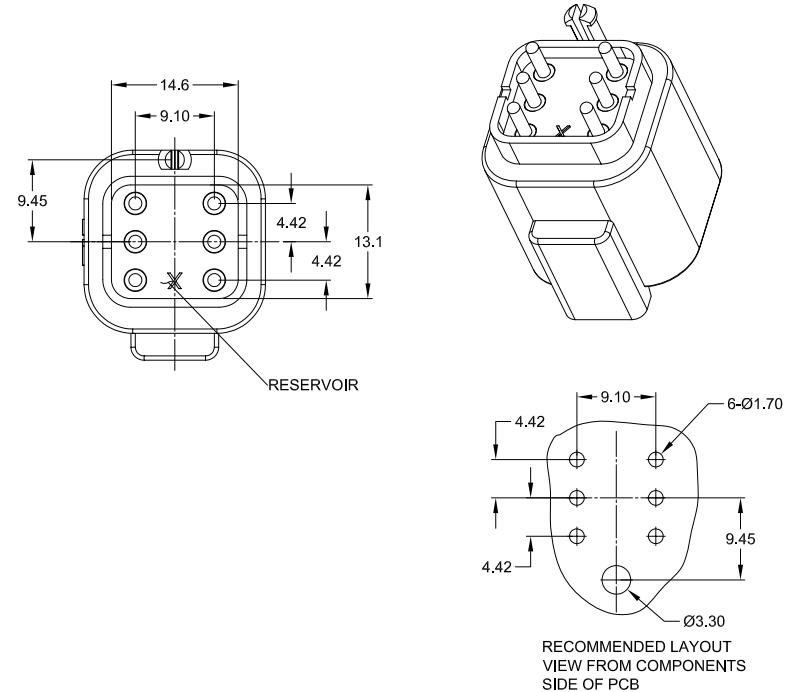
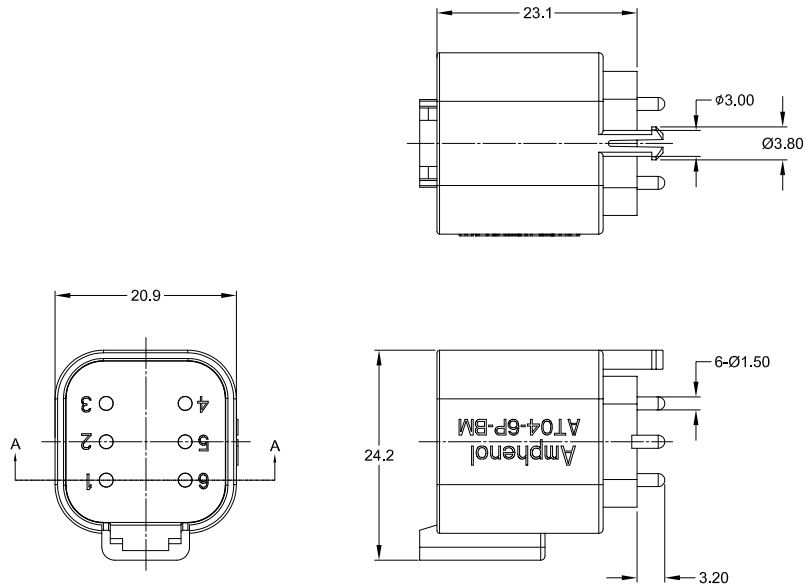
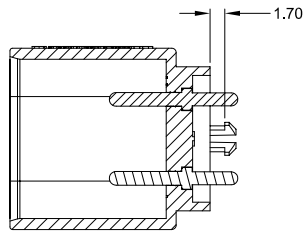


| REVISIONS |     |                                  |           |       |       |
|-----------|-----|----------------------------------|-----------|-------|-------|
| REV       | ECO | DESCRIPTION                      | DATE      | BY    | APPR  |
| A1        | -   | RELEASE NEW DWG FORMAT           | SEP/24/14 | ORION |       |
| A2        | -   | UPDATE DRAWING                   | OCT/06/14 | JARRY |       |
| A3        | -   | UPDATE DRAWING                   | OCT/21/14 | JARRY |       |
| A4        | -   | ADD NICKEL PLATING VERSION       | APR/24/15 | ORION |       |
| A5        | -   | CHANGE PC TAIL LENGTH            | AUG/04/15 | ORION | TOMMY |
| A6        | -   | REMOVE A DIMENSION AND ADD COLOR | AUG/10/15 | ORION | TOMMY |



NOTES: UNLESS OTHERWISE SPECIFIED

- MATERIAL:  
HOUSING: THERMOPLASTIC; COLOR: BLACK  
CONTACT: COPPER ALLOY
- MODIFICATIONS: PCB MOUNT
- SPECIFICATIONS:  
3.1 CURRENT RATING: 13 AMPS  
3.2 OPERATING TEMPERATURE: -55°C TO +125°C  
3.3 DIELECTRIC WITHSTANDING VOLTAGE: LESS THAN 2 MILLIAMPS CURRENT LEAKAGE @ 1500 VOLTS AC.  
3.4 INSULATION RESISTANCE: 1000 MEGOHMS MIN @ 25°C.  
3.5 MOISTURE RESISTANCE: IP67 ( MATED CONDITION )  
3.6 MATING CYCLE DURABILITY: 100 CYCLES  
3.7 RoHS COMPLIANT
- MATING PART: AT06-6S\* PLUG  
(\* = MODIFICATIONS AND COLORS)
- ALL DIMENSIONS ARE FOR REFERENCE USE ONLY.



SECTION A-A

| AT04-6P-BMXX VARIANTS |                             |              |
|-----------------------|-----------------------------|--------------|
| CONTACT PLATING       | POTTING OR NOT IN RESERVOIR | PART NUMBER  |
| GOLD                  | NO POTTING                  | AT04-6P-BM01 |
| GOLD                  | POTTING                     | AT04-6P-BM02 |
| NICKEL                | NO POTTING                  | AT04-6P-BM03 |
| NICKEL                | POTTING                     | AT04-6P-BM04 |

| SEE PART NUMBER CHART   |             | DESCRIPTION  |  | ITEM        |
|---|-------------|--|--|-------------|
| QUANTITY  | PART NUMBER | MATERIALS LIST   |  |             |
| UNLESS OTHERWISE SPECIFIED<br>1) All dimensions are in metric (mm).<br>2) Tolerances are as follows:<br>1 PL DEC ±0.30 Fractions ±1/64<br>2 PL DEC ±0.15 Angles ±1°<br>3 PL DEC ±0.08 |             |  |  |             |
| SIGNATURES  |             | DATE   |  |             |
| DRAWN: ORION.LI   |             | SEP/24/14  |  |             |
| CHECKED:  |             |  |  |             |
| ENGINEER:   |             |  |  |             |
| APPROVAL: TOMMY.XIE   |             | SEP/24/14  |  |             |
| MATERIAL SPECIFICATIONS:  |             | CUSTOMER:  |  |             |
| PROCESS SPECIFICATIONS:   |             | THIS DRAWING IS SUPPLIED FOR INFORMATION ONLY. DESIGN FEATURES, SPECIFICATIONS AND PERFORMANCE DATA SHOWN HEREON ARE THE PROPERTY OF THE AMPHENOL CORPORATION. NO RIGHTS OF REPRODUCTION ARE IMPLIED. ALL DIMENSIONS ARE SUBJECT TO NORMAL MANUFACTURING VARIATIONS. |  |             |
| NEXT ASSY:  |             | SCALE: NONE  |  |             |
|   |             | SIZE TYPE DWG NO: B C- AT04-6P-BMXX  |  | REVISION A6 |
|   |             | SHEET 1 OF 1   |  |             |

TITLE: RECEPTACLE, 6 PIN, PCB BOARD MOUNT  
DWG NO: AT04-6P-BMXX  
REV: A6  
SHEET 1 OF 1

