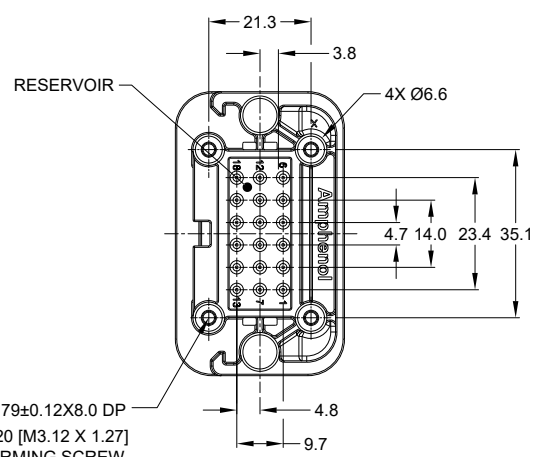
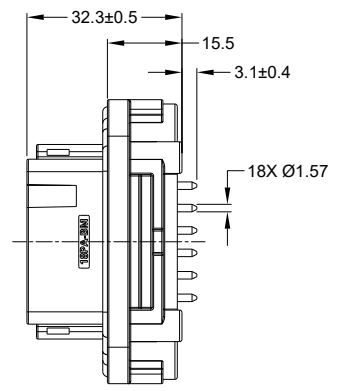
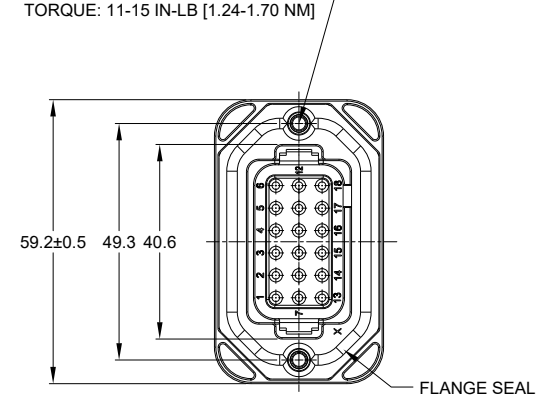
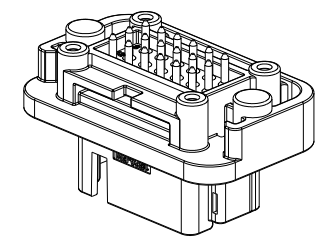


REVISIONS					
REV	ECO	DESCRIPTION	DATE	BY	APPR
A1	--	RELEASE NEW PRODUCT	19AUG20	ZENIN	TOMMY
A2	--	UPDATE THE PART NUMBERS AND IP RATING	08OCT21	ZENIN	TOMMY

2X Ø3.10±0.1 2X11.18 DP  
 RECOMMENDED SCREW: 6-19 [M3.63 X 1.34]  
 THREAD-FORMING SCREW,  
 TORQUE: 11-15 IN-LB [1.24-1.70 NM]

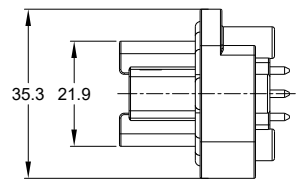


4X Ø2.79±0.12X8.0 DP  
 RECOMMENDED SCREW: 4-20 [M3.12 X 1.27]  
 THREAD-FORMING SCREW,  
 TORQUE:6-10 IN-LB [0.68-1.13 NM]



NOTES: UNLESS OTHERWISE SPECIFIED

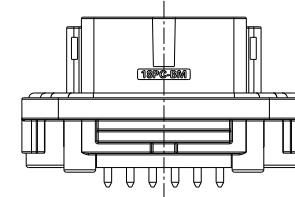
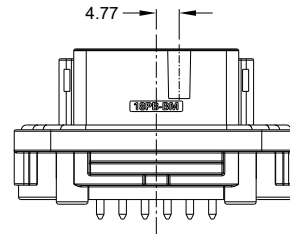
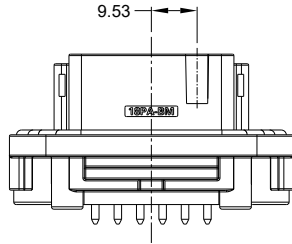
- MATERIAL:  
 HOUSING: THERMOPLASTIC; COLOR: SEE P/N CHART  
 SEAL: SILICONE RUBBER  
 CONTACT: COPPER ALLOY
- MODIFICATIONS: FLANGE, PCB MOUNT, STRAIGHT
- SPECIFICATIONS:
  - CURRENT RATING: 13AMPS
  - OPERATING TEMPERATURE: -55°C TO +125°C
  - DIELECTRIC WITHSTANDING VOLTAGE: LESS THAN 2 MILLIAMPS CURRENT LEAKAGE @ 1500 VOLTS AC.
  - INSULATION RESISTANCE: 1000 MEGOHMS MIN @ 25°C.
  - MOISTURE RESISTANCE:  
 IP68(1M OF WATER FOR A PERIOD OF 24 HOURS , MATED CONDITION)  
 IP69K(MATED CONDITION)
  - MATING CYCLE DURABILITY: 100 CYCLES
  - RoHS COMPLIANT
- MATING PART: AT16-18S\* PLUG  
 (\* = MODIFICATIONS)
- ALL DIMENSIONS ARE FOR REFERENCE USE ONLY.
- POTTED CONNECTORS SPECIFIED FOR UP TO 5 P.S.I. APPLICATIONS.



TITLE: BOARDLOCK PCB MOUNT RECEPTACLE, 18PIN, STRAIGHT, AT SERIES  
 DWG NO: AT15-18PX-BMXXXX  
 REV: A2  
 SH: 1  
 OF: 3

SEE P/N CHART		DESCRIPTION		ITEM
QUANTITY	PART NUMBER	MATERIALS LIST		
UNLESS OTHERWISE SPECIFIED		SIGNATURES	DATE	<b>Amphenol</b> Sine Systems - www.amphenol-sine.com 44724 Morley Drive Clinton Township, MI 48036
1) All dimensions are in metric (mm). 2) Tolerances are as follows: 1 PL DEC ±0.30   Fractions ±1/64 2 PL DEC ±0.15   Angles ±1° 3 PL DEC ±0.08		DRAWN: ZENIN, DENG	08OCT21	
3) Note reference =		CHECKED: ORION, LI	08OCT21	
MATERIAL SPECIFICATIONS:		ENGINEER:		
PROCESS SPECIFICATIONS:		APPROVAL: TOMMY, XIE	10OCT21	<b>BOARDLOCK PCB MOUNT RECEPTACLE, 18PIN STRAIGHT, AT SERIES</b>
NEXT ASSY:		CUSTOMER:		
THIS DRAWING IS SUPPLIED FOR INFORMATION ONLY. DESIGN FEATURES, SPECIFICATIONS AND PERFORMANCE DATA SHOWN HEREON ARE THE PROPERTY OF THE AMPHENOL CORPORATION. NO RIGHTS OF REPRODUCTION ARE IMPLIED. ALL DIMENSIONS ARE SUBJECT TO NORMAL MANUFACTURING VARIATIONS.		SIZE: <b>B C-</b>	TYPE: <b>AT15-18PX-BMXXXX</b>	REVISION: <b>A2</b>
		SCALE: <b>NONE</b>	SHEET <b>1</b> OF <b>3</b>	

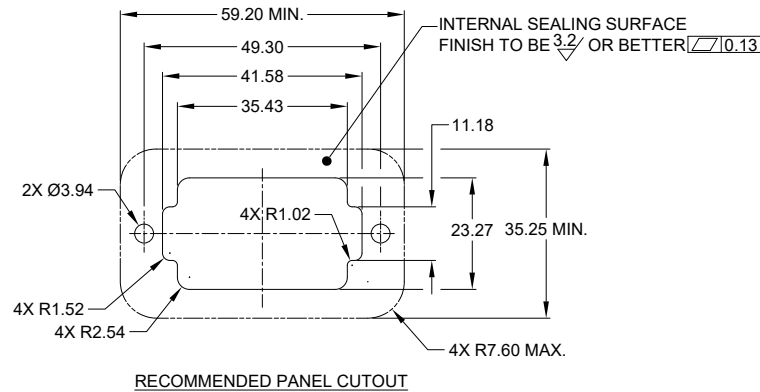
REVISIONS					
REV	ECO	DESCRIPTION	DATE	BY	APPR
A1	--	RELEASE NEW PRODUCT	19AUG20	ZENIN	TOMMY
A2	--	UPDATE THE PART NUMBERS AND IP RATING	08OCT21	ZENIN	TOMMY



A KEY P/N CHART			
CONTACT PLATING	COLOR OF HOUSING	POTTING OR NOT IN RESERVOIR	PART NUMBER
GOLD	GRAY	NO POTTING	AT15-18PA-BM01GY
GOLD	BLACK	NO POTTING	AT15-18PA-BM01BK
GOLD	GRAY	POTTING	AT15-18PA-BM02GY
GOLD	BLACK	POTTING	AT15-18PA-BM02BK
TIN	GRAY	NO POTTING	AT15-18PA-BM03GY
TIN	BLACK	NO POTTING	AT15-18PA-BM03BK
TIN	GRAY	POTTING	AT15-18PA-BM04GY
TIN	BLACK	POTTING	AT15-18PA-BM04BK

B KEY P/N CHART			
CONTACT PLATING	COLOR OF HOUSING	POTTING OR NOT IN RESERVOIR	PART NUMBER
GOLD	BLACK	NO POTTING	AT15-18PB-BM01BK
GOLD	BLACK	POTTING	AT15-18PB-BM02BK
TIN	BLACK	NO POTTING	AT15-18PB-BM03BK
TIN	BLACK	POTTING	AT15-18PB-BM04BK

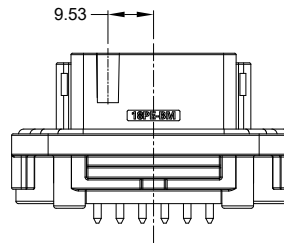
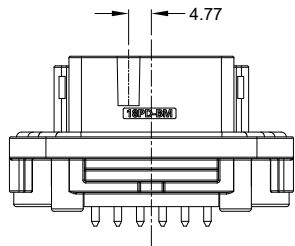
C KEY P/N CHART			
CONTACT PLATING	COLOR OF HOUSING	POTTING OR NOT IN RESERVOIR	PART NUMBER
GOLD	GREEN	NO POTTING	AT15-18PC-BM01GN
GOLD	BLACK	NO POTTING	AT15-18PC-BM01BK
GOLD	GREEN	POTTING	AT15-18PC-BM02GN
GOLD	BLACK	POTTING	AT15-18PC-BM02BK
TIN	GREEN	NO POTTING	AT15-18PC-BM03GN
TIN	BLACK	NO POTTING	AT15-18PC-BM03BK
TIN	GREEN	POTTING	AT15-18PC-BM04GN
TIN	BLACK	POTTING	AT15-18PC-BM04BK



SEE P/N CHART		DESCRIPTION		ITEM
QUANTITY	PART NUMBER	MATERIALS LIST		
UNLESS OTHERWISE SPECIFIED				
1) All dimensions are in metric (mm).				
2) Tolerances are as follows:				
1 PL DEC ±0.30				
2 PL DEC ±0.15				
3 PL DEC ±0.08				
3) Note reference = $\Delta$				
SIGNATURES		DATE		
DRAWN: ZENIN,DENG		08OCT21		
CHECKED: ORION,LI		09OCT21		
ENGINEER:				
APPROVAL: TOMMY,XIE		10OCT21		
MATERIAL SPECIFICATIONS:				
CUSTOMER:				
THIS DRAWING IS SUPPLIED FOR INFORMATION ONLY. DESIGN FEATURES, SPECIFICATIONS AND PERFORMANCE DATA SHOWN HEREON ARE THE PROPERTY OF THE AMPHENOL CORPORATION. NO RIGHTS OF REPRODUCTION ARE IMPLIED. ALL DIMENSIONS ARE SUBJECT TO NORMAL MANUFACTURING VARIATIONS.				
PROCESS SPECIFICATIONS:		SIZE	TYPE	DWG. NO.
NEXT ASSY:		B	C-	AT15-18PX-BMXXXX
		SCALE:	NONE	REVISION
				A2
				SHEET 2 OF 3

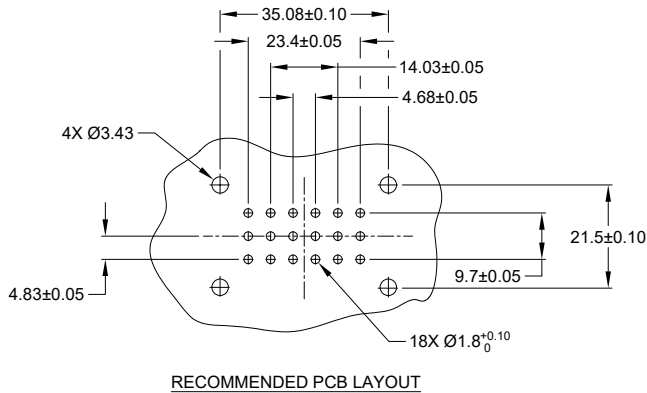
TITLE: BOARDLOCK PCB MOUNT RECEPTACLE, 18PIN, STRAIGHT, AT SERIES  
DWG. NO.: AT15-18PX-BMXXXX  
REV: A2  
SH: 2  
OF: 3

REVISIONS					
REV	ECO	DESCRIPTION	DATE	BY	APPR
A1	--	RELEASE NEW PRODUCT	19AUG20	ZENIN	TOMMY
A2	--	UPDATE THE PART NUMBERS AND IP RATING	08OCT21	ZENIN	TOMMY



D KEY P/N CHART			
CONTACT PLATING	COLOR OF HOUSING	POTTING OR NOT IN RESERVOIR	PART NUMBER
GOLD	BROWN	NO POTTING	AT15-18PD-BM01BN
GOLD	BLACK	NO POTTING	AT15-18PD-BM01BK
GOLD	BROWN	POTTING	AT15-18PC-BM02BN
GOLD	BLACK	POTTING	AT15-18PD-BM02BK
TIN	BROWN	NO POTTING	AT15-18PD-BM03BN
TIN	BLACK	NO POTTING	AT15-18PD-BM03BK
TIN	BROWN	POTTING	AT15-18PD-BM04BN
TIN	BLACK	POTTING	AT15-18PD-BM04BK

E KEY P/N CHART			
CONTACT PLATING	COLOR OF HOUSING	POTTING OR NOT IN RESERVOIR	PART NUMBER
GOLD	GRAY	NO POTTING	AT15-18PE-BM01GY
GOLD	BLACK	NO POTTING	AT15-18PE-BM01BK
GOLD	GRAY	POTTING	AT15-18PE-BM02GY
GOLD	BLACK	POTTING	AT15-18PE-BM02BK
TIN	GRAY	NO POTTING	AT15-18PE-BM03GY
TIN	BLACK	NO POTTING	AT15-18PE-BM03BK
TIN	GRAY	POTTING	AT15-18PE-BM04GY
TIN	BLACK	POTTING	AT15-18PE-BM04BK



QUANTITY	SEE P/N CHART	DESCRIPTION	ITEM
PART NUMBER			
<b>MATERIALS LIST</b>			
<small>UNLESS OTHERWISE SPECIFIED</small> 1) All dimensions are in metric (mm). 2) Tolerances are as follows: 1 PL DEC ±0.30 2 PL DEC ±0.15 3 PL DEC ±0.08 3) Note reference =		<b>SIGNATURES</b> <b>DATE</b> DRAWN: ZENIN,DENG    08OCT21 CHECKED: ORIONLI    09OCT21 ENGINEER: APPROVAL: TOMMY,XIE    10OCT21 CUSTOMER:	
<small>MATERIAL SPECIFICATIONS:</small>		 Sine Systems - www.amphenol-sine.com 44724 Morley Drive Clinton Township, MI 48036	
<small>PROCESS SPECIFICATIONS:</small>		THIS DRAWING IS SUPPLIED FOR INFORMATION ONLY. DESIGN FEATURES, SPECIFICATIONS AND PERFORMANCE DATA SHOWN HEREON ARE THE PROPERTY OF THE AMPHENOL CORPORATION. NO RIGHTS OF REPRODUCTION ARE IMPLIED. ALL DIMENSIONS ARE SUBJECT TO NORMAL MANUFACTURING VARIATIONS.	
<small>NEXT ASSY:</small>		SIZE: <b>B</b> TYPE: <b>C-</b> DWG NO: <b>AT15-18PX-BMXXXX</b> REVISION: <b>A2</b>	SCALE: <b>NONE</b> SHEET <b>3</b> OF <b>3</b>

TITLE: BOARDLOCK PCB MOUNT RECEPTACLE, 18PIN STRAIGHT, AT SERIES  
 DWG NO: AT15-18PX-BMXXXX  
 REV: A2  
 SH: 3  
 OF: 3