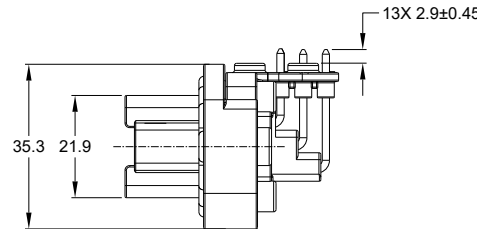
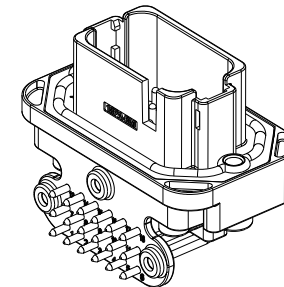
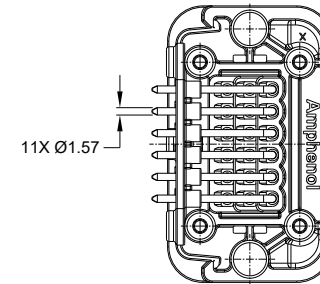
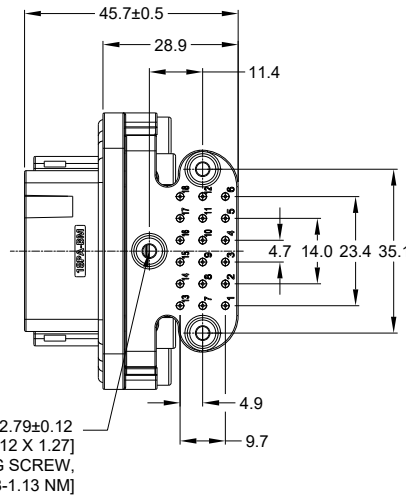
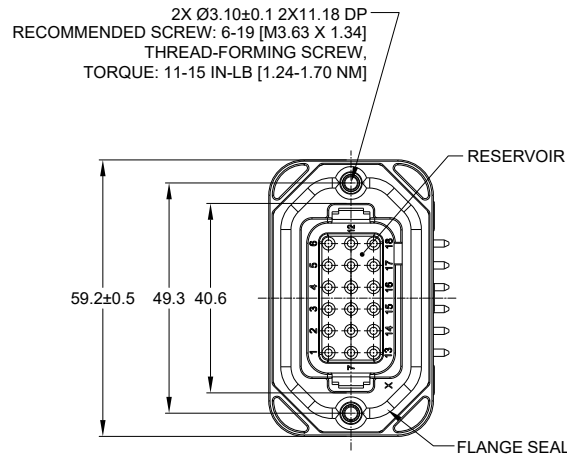


REVISIONS					
REV	ECO	DESCRIPTION	DATE	BY	APPR
A1	--	RELEASE NEW PRODUCT	17AUG20	ZENIN	TOMMY
A2	--	UPDATE THE PART NUMBERS AND IP RATING	08OCT21	ZENIN	TOMMY



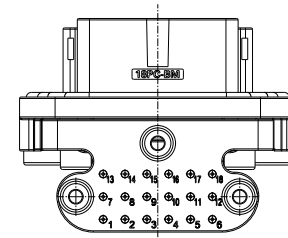
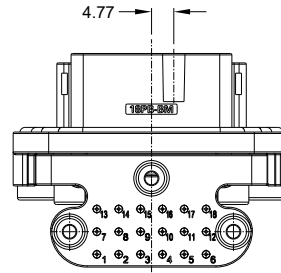
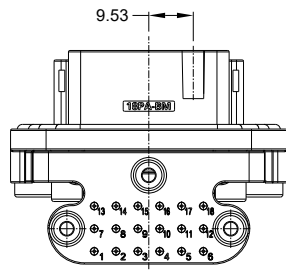
NOTES: UNLESS OTHERWISE SPECIFIED

- MATERIAL:  
HOUSING: THERMOPLASTIC; COLOR: SEE P/N CHART  
SEAL: SILICONE RUBBER  
CONTACT: COPPER ALLOY  
PIN SPACER: THERMOPLASTIC; COLOR: BLACK
- MODIFICATIONS: FLANGE, PCB MOUNT, RIGHT ANGLE
- SPECIFICATIONS:  
3.1 CURRENT RATING: 13AMPS  
3.2 OPERATING TEMPERATURE: -55°C TO +125°C  
3.3 DIELECTRIC WITHSTANDING VOLTAGE: LESS THAN 2 MILLIAMPS CURRENT LEAKAGE @ 1500 VOLTS AC.  
3.4 INSULATION RESISTANCE: 1000 MEGOHMS MIN @ 25°C.  
3.5 MOISTURE RESISTANCE:  
IP68(1M OF WATER FOR A PERIOD OF 24 HOURS , MATED CONDITION)  
IP69K(MATED CONDITION)  
3.6 MATING CYCLE DURABILITY: 100 CYCLES  
3.7 RoHS COMPLIANT
- MATING PART: AT16-18S\* PLUG  
(\* = MODIFICATIONS)
- ALL DIMENSIONS ARE FOR REFERENCE USE ONLY.
- POTTED CONNECTORS SPECIFIED FOR UP TO 5 P.S.I. APPLICATIONS.

TITLE: BOARDLOCK PCB MOUNT RECEPTACLE, 18PIN, RA FLANGE AT SERIES  
DWG NO: AT13-18PX-BMXXXX  
REV: A2  
SH: 1  
OF: 3

SEE P/N CHART		PART NUMBER		DESCRIPTION		ITEM
QUANTITY		MATERIALS LIST				
UNLESS OTHERWISE SPECIFIED 1) All dimensions are in metric (mm). 2) Tolerances are as follows: 1 PL DEC ±0.30 2 PL DEC ±0.15 3 PL DEC ±0.08 3) Note reference =		SIGNATURES		DATE		 Sine Systems - www.amphenol-sine.com 44724 Morley Drive Clinton Township, MI 48036 <b>BOARDLOCK PCB MOUNT RECEPTACLE, 18PIN            RA FLANGE, AT SERIES</b>
DRAWN: ZENIN, DENG		08OCT21		CHECKED: ORION, LI		
ENGINEER:		09OCT21		APPROVAL: TOMMY, XIE		
MATERIAL SPECIFICATIONS:		CUSTOMER:		10OCT21		
PROCESS SPECIFICATIONS:		THIS DRAWING IS SUPPLIED FOR INFORMATION ONLY. DESIGN FEATURES, SPECIFICATIONS AND PERFORMANCE DATA SHOWN HEREON ARE THE PROPERTY OF THE AMPHENOL CORPORATION. NO RIGHTS OF REPRODUCTION ARE IMPLIED. ALL DIMENSIONS ARE SUBJECT TO NORMAL MANUFACTURING VARIATIONS.		DWG NO:		REVISION
NEXT ASSY:		SCALE: NONE		SIZE: B C-		AT13-18PX-BMXXXX A2
		SHEET 1		OF 3		

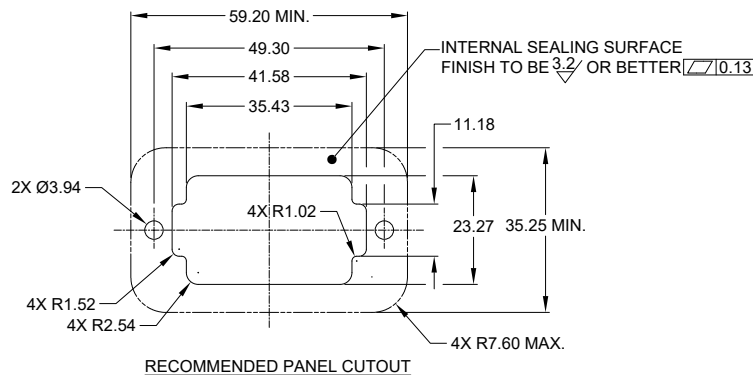
REVISIONS					
REV	ECO	DESCRIPTION	DATE	BY	APPR
A1	--	RELEASE NEW PRODUCT	17AUG20	ZENIN	TOMMY
A2	--	UPDATE THE PART NUMBERS AND IP RATING	08OCT21	ZENIN	TOMMY



A KEY P/N CHART			
CONTACT PLATING	COLOR OF HOUSING	POTTING OR NOT IN RESERVOIR	PART NUMBER
GOLD	GRAY	NO POTTING	AT13-18PA-BM01GY
GOLD	BLACK	NO POTTING	AT13-18PA-BM01BK
GOLD	GRAY	POTTING	AT13-18PA-BM02GY
GOLD	BLACK	POTTING	AT13-18PA-BM02BK
TIN	GRAY	NO POTTING	AT13-18PA-BM03GY
TIN	BLACK	NO POTTING	AT13-18PA-BM03BK
TIN	GRAY	POTTING	AT13-18PA-BM04GY
TIN	BLACK	POTTING	AT13-18PA-BM04BK

B KEY P/N CHART			
CONTACT PLATING	COLOR OF HOUSING	POTTING OR NOT IN RESERVOIR	PART NUMBER
GOLD	BLACK	NO POTTING	AT13-18PB-BM01BK
GOLD	BLACK	POTTING	AT13-18PB-BM02BK
TIN	BLACK	NO POTTING	AT13-18PB-BM03BK
TIN	BLACK	POTTING	AT13-18PB-BM04BK

C KEY P/N CHART			
CONTACT PLATING	COLOR OF HOUSING	POTTING OR NOT IN RESERVOIR	PART NUMBER
GOLD	GREEN	NO POTTING	AT13-18PC-BM01GN
GOLD	BLACK	NO POTTING	AT13-18PC-BM01BK
GOLD	GREEN	POTTING	AT13-18PC-BM02GN
GOLD	BLACK	POTTING	AT13-18PC-BM02BK
TIN	GREEN	NO POTTING	AT13-18PC-BM03GN
TIN	BLACK	NO POTTING	AT13-18PC-BM03BK
TIN	GREEN	POTTING	AT13-18PC-BM04GN
TIN	BLACK	POTTING	AT13-18PC-BM04BK

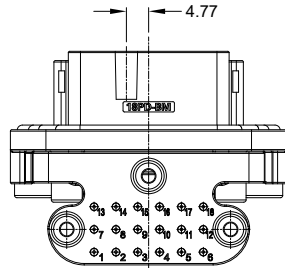


RECOMMENDED PANEL CUTOUT

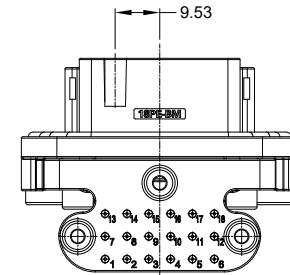
SEE P/N CHART		DESCRIPTION	
QUANTITY	PART NUMBER	DESCRIPTION	ITEM
MATERIALS LIST		<p style="text-align: center;"><b>Amphenol</b></p> <p style="text-align: center;">Sine Systems - www.amphenol-sine.com 44724 Morley Drive Clinton Township, MI 48036</p>	
<p>UNLESS OTHERWISE SPECIFIED:</p> <p>1) All dimensions are in metric (mm).</p> <p>2) Tolerances are as follows: 1 PL DEC ±0.30 Fractions ±1/64 2 PL DEC ±0.15 Angles ±1° 3 PL DEC ±0.08</p> <p>3) Note reference = </p>			
<p>SIGNATURES DATE</p> <p>DRAWN: ZENIN DENG 08OCT21</p> <p>CHECKED: ORION LI 09OCT21</p> <p>ENGINEER:</p> <p>APPROVAL: TOMMY XIE 10OCT21</p>		<p>CUSTOMER:</p> <p>BOARDLOCK PCB MOUNT RECEPTACLE, 18PIN RA FLANGE, AT SERIES</p>	
<p>PROCESS SPECIFICATIONS:</p> <p>THIS DRAWING IS SUPPLIED FOR INFORMATION ONLY. DESIGN FEATURES, SPECIFICATIONS AND PERFORMANCE DATA SHOWN HEREON ARE THE PROPERTY OF THE AMPHENOL CORPORATION. NO RIGHTS OF REPRODUCTION ARE IMPLIED. ALL DIMENSIONS ARE SUBJECT TO NORMAL MANUFACTURING VARIATIONS.</p>		<p>SIZE: B C-</p> <p>SCALE: NONE</p>	<p>DWG NO: AT13-18PX-BMXXXX</p> <p>REVISION: A2</p>
NEXT ASSY:		SHEET 2 OF 3	

TITLE: BOARDLOCK PCB MOUNT RECEPTACLE, 18PIN RA FLANGE, AT SERIES  
DWG NO: AT13-18PX-BMXXXX  
REV: A2  
SH: 2  
OF: 3

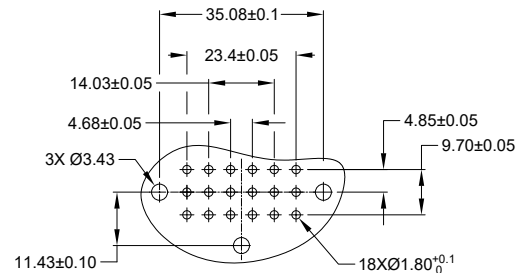
REVISIONS					
REV	ECO	DESCRIPTION	DATE	BY	APPR
A1	--	RELEASE NEW PRODUCT	17AUG20	ZENIN	TOMMY
A2	--	UPDATE THE PART NUMBERS AND IP RATING	08OCT21	ZENIN	TOMMY



D KEY P/N CHART			
CONTACT PLATING	COLOR OF HOUSING	POTTING OR NOT IN RESERVOIR	PART NUMBER
GOLD	BROWN	NO POTTING	AT13-18PD-BM01BN
GOLD	BLACK	NO POTTING	AT13-18PD-BM01BK
GOLD	BROWN	POTTING	AT13-18PD-BM02BN
GOLD	BLACK	POTTING	AT13-18PD-BM02BK
TIN	BROWN	NO POTTING	AT13-18PD-BM03BN
TIN	BLACK	NO POTTING	AT13-18PD-BM03BK
TIN	BROWN	POTTING	AT13-18PD-BM04BN
TIN	BLACK	POTTING	AT13-18PD-BM04BK



E KEY P/N CHART			
CONTACT PLATING	COLOR OF HOUSING	POTTING OR NOT IN RESERVOIR	PART NUMBER
GOLD	GRAY	NO POTTING	AT13-18PE-BM01GY
GOLD	BLACK	NO POTTING	AT13-18PE-BM01BK
GOLD	GRAY	POTTING	AT13-18PE-BM02GY
GOLD	BLACK	POTTING	AT13-18PE-BM02BK
TIN	GRAY	NO POTTING	AT13-18PE-BM03GY
TIN	BLACK	NO POTTING	AT13-18PE-BM03BK
TIN	GRAY	POTTING	AT13-18PE-BM04GY
TIN	BLACK	POTTING	AT13-18PE-BM04BK



RECOMMENDED PCB LAYOUT

SEE P/N CHART		DESCRIPTION		ITEM	
QUANTITY	PART NUMBER	MATERIALS LIST			
UNLESS OTHERWISE SPECIFIED: 1) All dimensions are in metric(mm). 2) Tolerances are as follows: 1 PL DEC ±0.30   Fractions ±1/64 2 PL DEC ±0.15   Angles ±1° 3 PL DEC ±0.08		SIGNATURES		DATE	
3) Note reference =		DRAWN: ZENN DENG		08OCT21	
MATERIAL SPECIFICATIONS:		CHECKED: ORION LI		09OCT21	
PROCESS SPECIFICATIONS:		ENGINEER:			
NEXT ASSY:		APPROVAL: TOMMY XIE		10OCT21	
CUSTOMER:		<p><b>Amphenol</b></p> <p>Sine Systems - www.amphenol-sine.com 44724 Morley Drive Clinton Township, MI 48036</p>			
THIS DRAWING IS SUPPLIED FOR INFORMATION ONLY. DESIGN FEATURES, SPECIFICATIONS AND PERFORMANCE DATA SHOWN HEREON ARE THE PROPERTY OF THE AMPHENOL CORPORATION. NO RIGHTS OF REPRODUCTION ARE IMPLIED. ALL DIMENSIONS ARE SUBJECT TO NORMAL MANUFACTURING VARIATIONS.		SIZE	TYPE	DWG NO.	REVISION
		<b>B</b>	<b>C-</b>	<b>AT13-18PX-BMXXXX</b>	<b>A2</b>
		SCALE	NONE		SHEET 3 OF 3