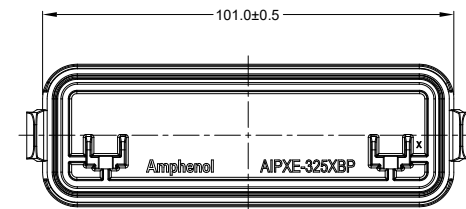
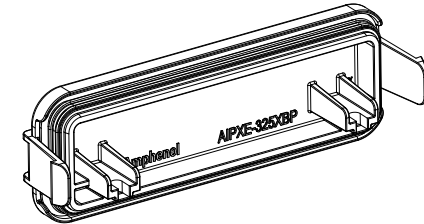
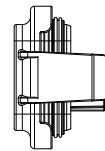
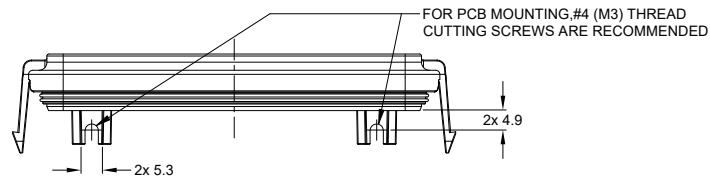
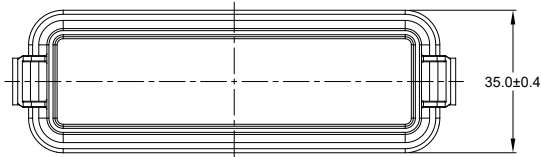
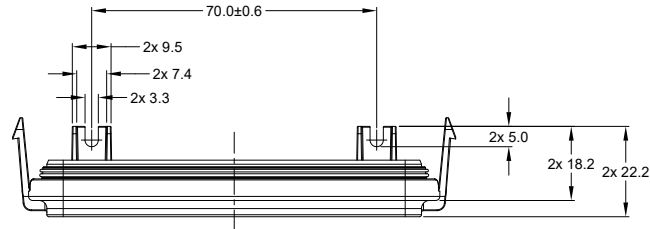


REVISIONS					
REV	ECO	DESCRIPTION	DATE	BY	APPR
A1	-	NEW DRAWING	30AUG19	SULLEN	TOMMY
A2	-	ADD RIBS	05NOV19	SULLEN	TOMMY
A3	-	UPDATED SPACE LIMIT DIMENSION	15JAN20	SULLEN	TOMMY



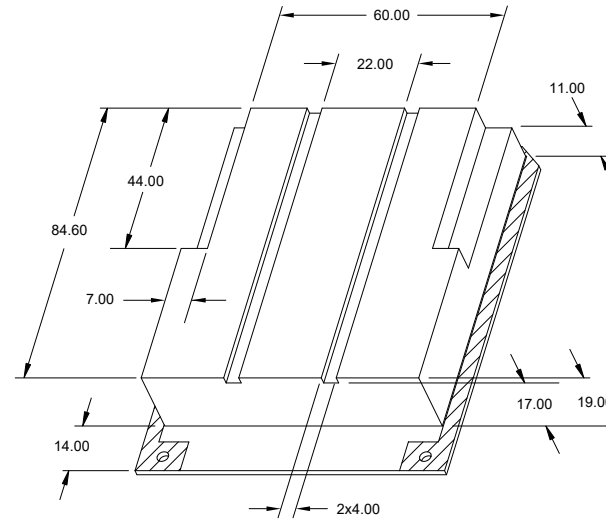
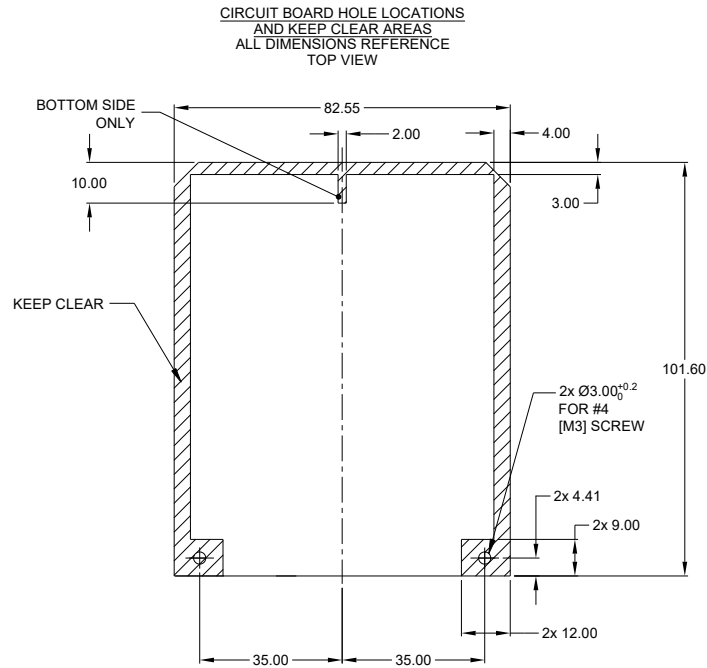
NOTES: UNLESS OTHERWISE SPECIFIED

- MATERIAL: THERMOPLASTIC, BLACK
- SPECIFICATIONS:
 - OPERATING TEMPERATURE: -55°C TO +125°C
 - INSULATION RESISTANCE: 1000 MEGOHMS MIN @ 25°C
 - MOISTURE RESISTANCE: IP69K (MATED CONDITION)
 - MATING CYCLE DURABILITY: 100 CYCLES
 - RoHS COMPLIANT
- THIS PRODUCT IS USED WITH AIPXE-325X4A-XXXX AND AIPXE-325X4B-XXXX ENCLOSURE (XXXX= ALL MODIFICATIONS)
- ALL DIMENSIONS ARE FOR REFERENCE USE ONLY

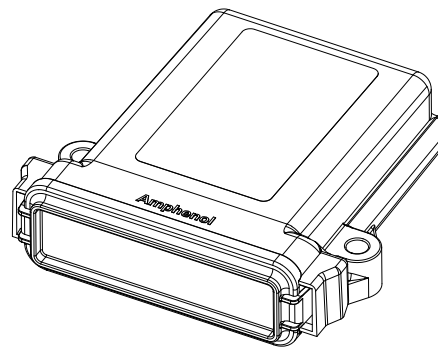
TITLE: ARMOR IPX BLANK PLATE
 DWG NO: AIPXE-325XBP-01
 REV: A3
 SH: 1
 OF: 2

AIPXE-325XBP-01		DESCRIPTION		ITEM
QUANTITY	PART NUMBER	MATERIALS LIST		
UNLESS OTHERWISE SPECIFIED		SIGNATURES		DATE
1) All dimensions are in metric (mm).		DRAWN: SULLENZHANG	15JAN20	
2) Tolerances are as follows:		CHECKED: ORIONLI	16JAN20	
1 PL DEC ±0.30		ENGINEER:		
2 PL DEC ±0.15		APPROVAL: TOMMYXIE	17JAN20	
3 PL DEC ±0.08		CUSTOMER:		
3) Note reference =		THIS DRAWING IS SUPPLIED FOR INFORMATION ONLY. DESIGN FEATURES, SPECIFICATIONS AND PERFORMANCE DATA SHOWN HEREON ARE THE PROPERTY OF THE AMPHENOL CORPORATION. NO RIGHTS OF REPRODUCTION ARE IMPLIED. ALL DIMENSIONS ARE SUBJECT TO NORMAL MANUFACTURING VARIATIONS.		
MATERIAL SPECIFICATIONS:		Sine Systems - www.amphenol-sine.com 44724 Morley Drive Clinton Township, MI 48036		
PROCESS SPECIFICATIONS:		ARMOR IPX BLANK PLATE		
NEXT ASSY:		SIZE	TYPE	DWG NO.
		B	C-	AIPXE-325XBP-01
		SCALE	NONE	REVISION
				A3
		SHEET 1 OF 2		

REVISIONS					
REV	ECO	DESCRIPTION	DATE	BY	APPR
A1	-	NEW DRAWING	30AUG19	SULLEN	TOMMY
A2	-	ADD RIBS	05NOV19	SULLEN	TOMMY
A3	-	UPDATED SPACE LIMIT DIMENSION	15JAN20	SULLEN	TOMMY



THREE DIMENSIONAL SPACE LIMIT
APPROXIMATE INTERNAL SPACE
FOR COMPONENT SPACE LAYOUT
MAX. COMPONENT HEIGHT UNDER BOARD 2.00 mm.



3D VIEW
AIPXE-325X4A-XXXX AND
AIPXE-325X4B-XXXX ENCLOSURE AND
MOUNTING HARDWARE SHOWN FOR REFERENCE

TITLE: ARMOR IPX BLANK PLATE
DWG NO: AIPXE-325XBP-01
REV: A3
SH: 2
OF: 2

AIPXE-325XBP-01		DESCRIPTION		ITEM
PART NUMBER				
QUANTITY		MATERIALS LIST		
UNLESS OTHERWISE SPECIFIED 1) All dimensions are in metric (mm). 2) Tolerances are as follows: 1 PL DEC ±0.30 2 PL DEC ±0.15 3 PL DEC ±0.08		SIGNATURES		DATE
DRAWN: SULLEN, ZHANG		15JAN20		
CHECKED: ORION LI		16JAN20		
ENGINEER:				
APPROVAL: TOMMY XIE		17JAN20		
MATERIAL SPECIFICATIONS:		CUSTOMER:		
PROCESS SPECIFICATIONS:		THIS DRAWING IS SUPPLIED FOR INFORMATION ONLY. DESIGN FEATURES, SPECIFICATIONS AND PERFORMANCE DATA SHOWN HEREON ARE THE PROPERTY OF THE AMPHENOL CORPORATION. NO RIGHTS OF REPRODUCTION ARE IMPLIED. ALL DIMENSIONS ARE SUBJECT TO NORMAL MANUFACTURING VARIATIONS.		
NEXT ASSY:		SCALE: NONE		
		SIZE: B C-	DWG NO: AIPXE-325XBP-01	REVISION: A3
		SINE SYSTEMS - www.amphenol-sine.com 44724 Morley Drive Clinton Township, MI 48036		
		ARMOR IPX BLANK PLATE		
		SHEET 2 OF 2		