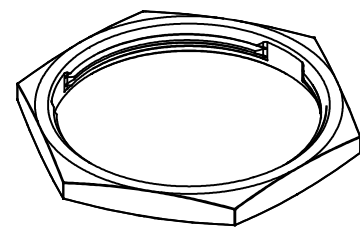
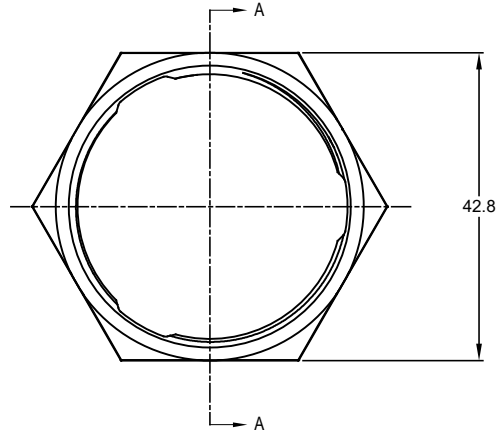
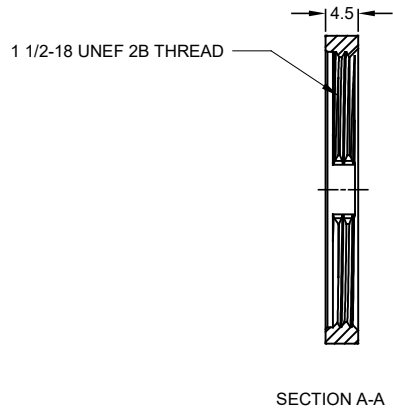


REVISIONS					
REV	ECO	DESCRIPTION	DATE	BY	APPR
A1	--	RELEASE NEW DRAWING	26/SEP/18	ROOKIE	TOMMY
A2	--	ADD MOUNTING TORQUE VALUE	23/JUN/20	LOUIE	TOMMY



- NOTES: UNLESS OTHERWISE SPECIFIED
1. MATERIAL: ALUMINIUM ALLOY, NICKEL PLATED.
 2. USE WITH AHDM SERIES SIZE 18 RECEPTACLE, MOUNTING TORQUE IS 29.4~31.6 NM
 3. RoHS COMPLIANT.
 4. ALL DIMENSIONS ARE FOR REFERENCE USE ONLY.

A114020-90		DESCRIPTION		ITEM
PART NUMBER		DESCRIPTION		
QUANTITY		MATERIALS LIST		
UNLESS OTHERWISE SPECIFIED: 1) All dimensions are in metric (mm). 2) Tolerances are as follows: 1 PL DEC ±0.30 Fractions ±1/64 2 PL DEC ±0.15 Angles ±1° 3 PL DEC ±0.08		SIGNATURES	DATE	<p>Amphenol</p> <p>Sine Systems - www.amphenol-sine.com 44724 Morley Drive Clinton Township, MI 48036</p> <p>NUT, DURAMATE AHDM SERIES, SIZE 18</p>
MATERIAL SPECIFICATIONS:		DRAWN: LOUIE	23/JUN/20	
PROCESS SPECIFICATIONS:		CHECKED: ORION	24/JUN/20	
NEXT ASSY:		APPROVAL: TOMMY	28/JUN/20	
THIS DRAWING IS SUPPLIED FOR INFORMATION ONLY. DESIGN FEATURES, SPECIFICATIONS AND PERFORMANCE DATA SHOWN HEREON ARE THE PROPERTY OF THE AMPHENOL CORPORATION. NO RIGHTS OF REPRODUCTION ARE IMPLIED. ALL DIMENSIONS ARE SUBJECT TO NORMAL MANUFACTURING VARIATIONS.		CUSTOMER:		<p>SIZE: B C-</p> <p>TYPE: C-</p> <p>DWG NO: A114020-90</p> <p>SCALE: NONE</p>
		SHEET 1 OF 1		REVISION: A2

TITLE: NUT, DURAMATE AHDM SERIES, SZ 18 DWG NO: A114020-90 REV: A2 SH: 1 OF 1