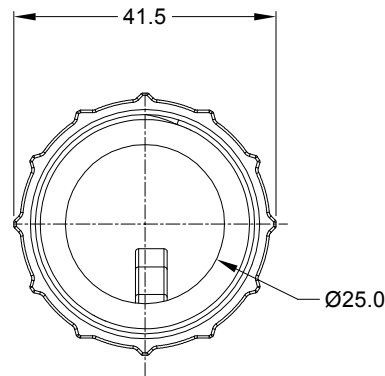
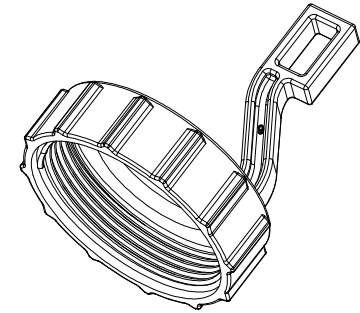
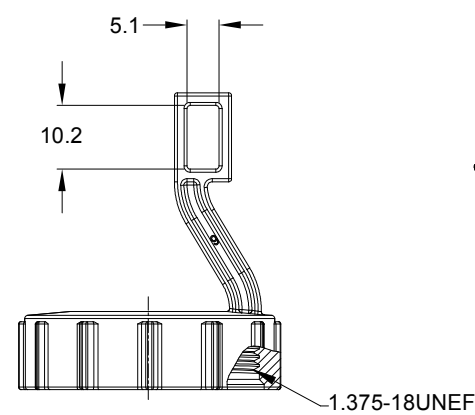
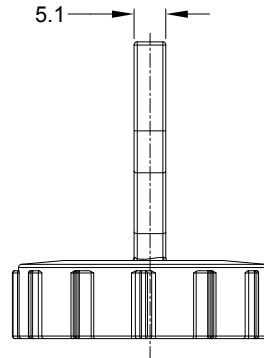
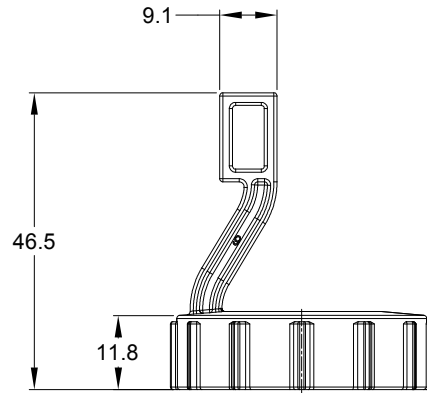


REVISIONS					
REV	ECO	DESCRIPTION	DATE	BY	APPR
A1	-	RELEASE NEW DRAWING	15JUN18	RIMON	TOMMY
A2	C0937S	UPDATE COLOUR	5SEP18	PETER	TOMMY
A3	C0964S	INCREASE THE ROUND CORNER OF ARM AND CHANGE THE MATERIAL	19DEC18	PETER	TOMMY



NOTES: UNLESS OTHERWISE SPECIFIED

1. MATERIAL: THERMOPLASTIC; COLOR: GRAY
2. COMPATIBLE WITH AHD 9 POSITION.
3. RoHS COMPLIANT.
4. ALL DIMENSIONS ARE FOR REFERENCE USE ONLY.

TITLE:

STRAIN RELIEF AHD 9 PIN TY-RAP

DWG NO.:

AHD18-009

REV/ A3

SH: 1

OF: 1

AHD18-009		DESCRIPTION		ITEM													
PART NUMBER		DESCRIPTION															
QUANTITY		<b>MATERIALS LIST</b>															
<b>UNLESS OTHERWISE SPECIFIED:</b> 1) All dimensions are in metric(mm). 2) Tolerances are as follows: 1 PL DEC ±0.30 Fractions ±1/64 2 PL DEC ±0.15 3 PL DEC ±0.08 3) Note reference =		<table border="1"> <thead> <tr> <th>SIGNATURES</th> <th>DATE</th> </tr> </thead> <tbody> <tr> <td>DRAWN: PETER YANG</td> <td>19DEC18</td> </tr> <tr> <td>CHECKED: ORION LI</td> <td>19DEC18</td> </tr> <tr> <td>ENGINEER:</td> <td></td> </tr> <tr> <td>APPROVAL: TOMMY XIE</td> <td>19DEC18</td> </tr> <tr> <td>CUSTOMER:</td> <td></td> </tr> </tbody> </table>		SIGNATURES	DATE	DRAWN: PETER YANG	19DEC18	CHECKED: ORION LI	19DEC18	ENGINEER:		APPROVAL: TOMMY XIE	19DEC18	CUSTOMER:		<p><b>Amphenol</b></p> <p>Sine Systems - www.amphenol-sine.com          44724 Morley Drive          Clinton Township, MI 48036</p>	
SIGNATURES	DATE																
DRAWN: PETER YANG	19DEC18																
CHECKED: ORION LI	19DEC18																
ENGINEER:																	
APPROVAL: TOMMY XIE	19DEC18																
CUSTOMER:																	
MATERIAL SPECIFICATIONS:		STRAIN RELIEF AHD 9 PIN TY-RAP															
PROCESS SPECIFICATIONS:		<table border="1"> <tr> <td>SIZE</td> <td>TYPE</td> <td>DWG NO.</td> <td>REVISION</td> </tr> <tr> <td>B</td> <td>C-</td> <td>AHD18-009</td> <td>A3</td> </tr> </table>		SIZE	TYPE	DWG NO.	REVISION	B	C-	AHD18-009	A3						
SIZE	TYPE	DWG NO.	REVISION														
B	C-	AHD18-009	A3														
NEXT ASSY:		SCALE: NONE		SHEET 1 OF 1													