



AMPHENOL PCD



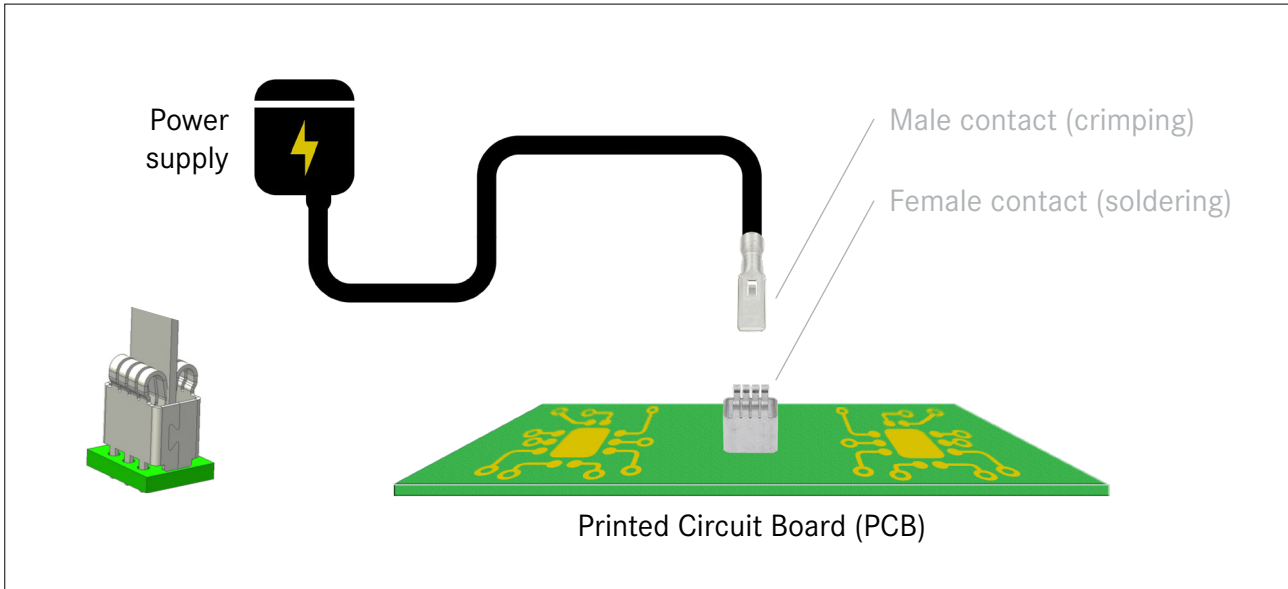
# SFBC

## HIGH-CURRENT CONTACTS

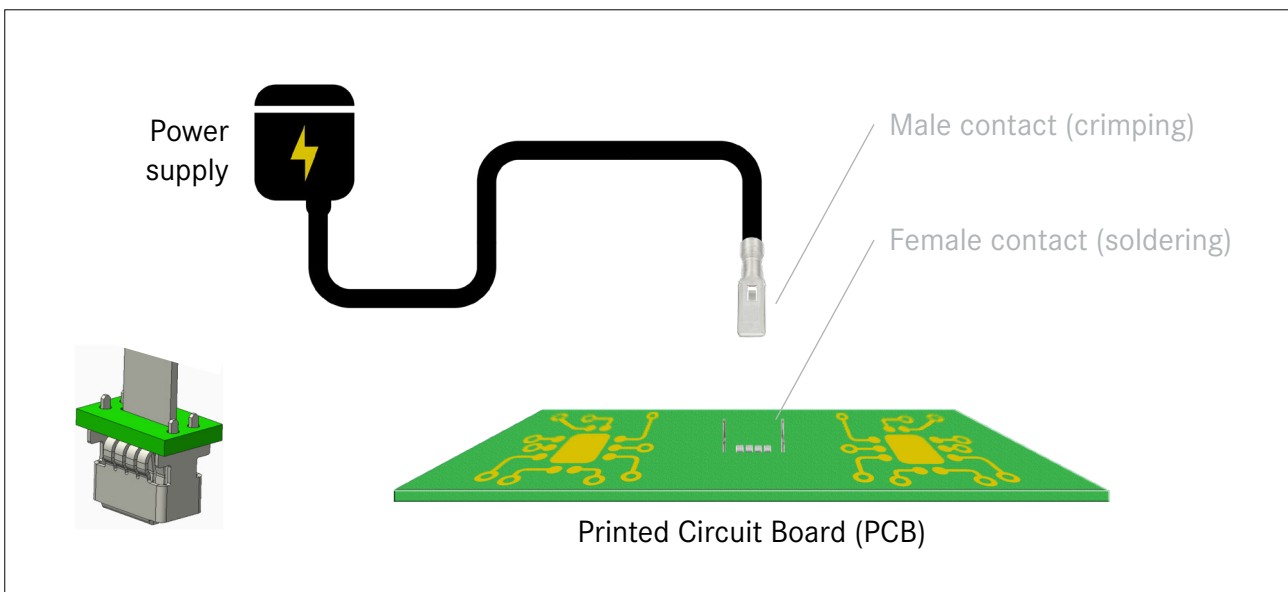
[www.amphenolpcd.com.cn](http://www.amphenolpcd.com.cn)

HIGHPOWER @ AMPHENOL  
TRUSTED GLOBALLY

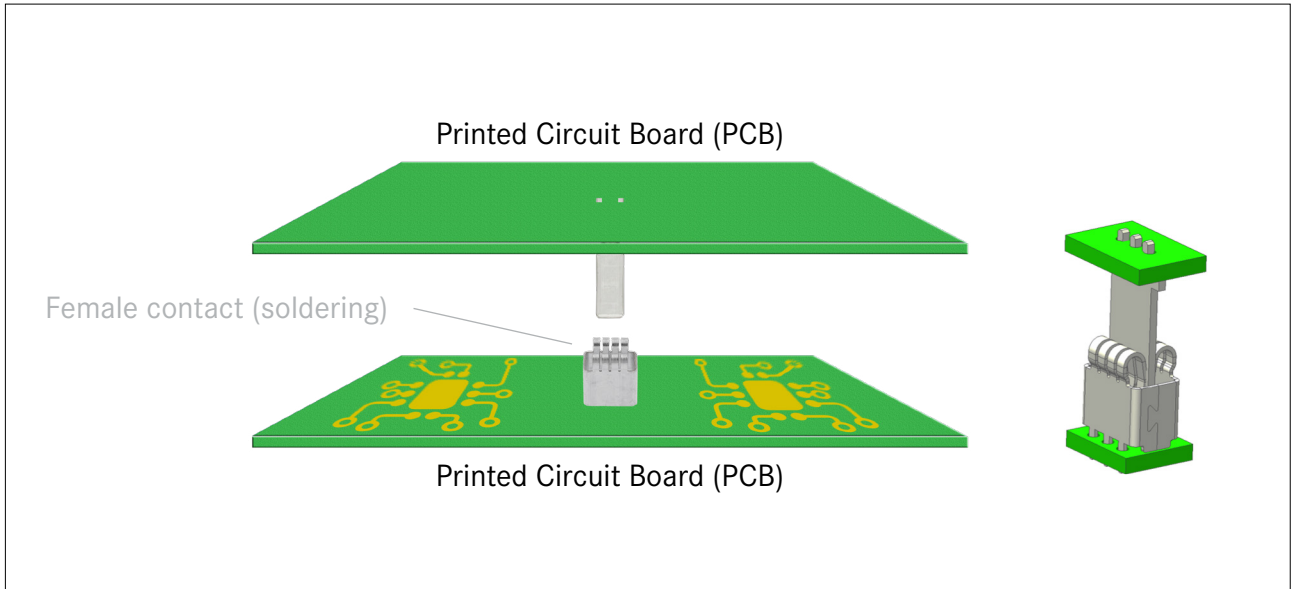
USE CASES .....	2
SFBC 01400 .....	4
SFBC 01500 .....	5
SFBC 01600 .....	6
P01BS00197 .....	7
P01BS00198 .....	8
P01BS00201 .....	9
P01BS00202 .....	10



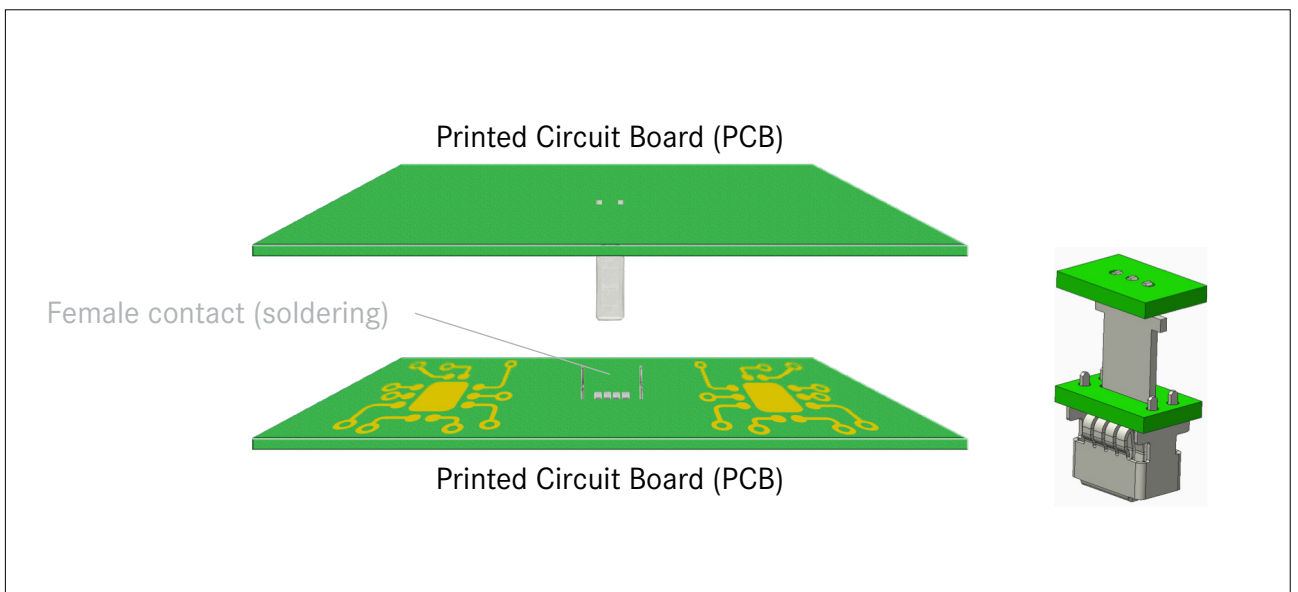
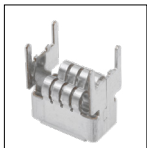
Female contact **above** PCB.



Female contact **under** PCB.



Female contact **above** PCB.



Female contact **under** PCB.

# SFBC 01400

## MECHANICAL

Durability	100 mating cycles
Insertion force	< 35N
Pullout force	> 5N
Matching male contact	31.0 x 2.0mm
Connection type	Screw connection

## ELECTRICAL

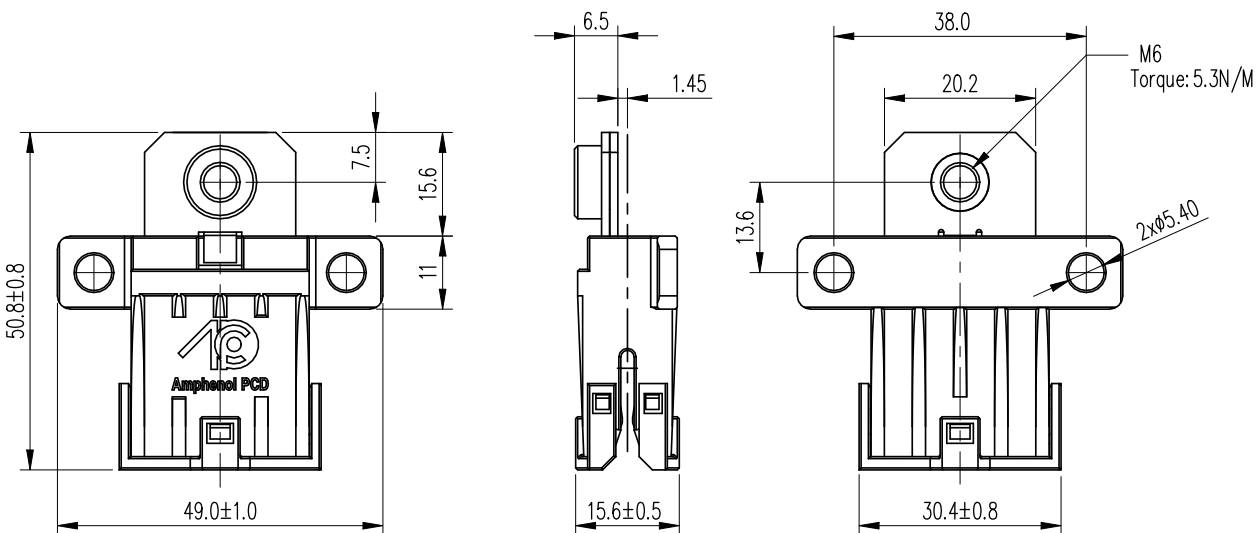
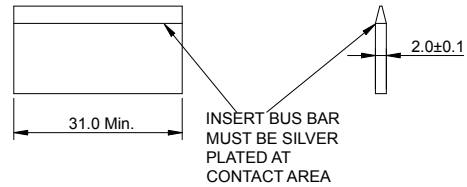
Rated current	200A Max.
Contact resistance	≤ 1.0mΩ
Temperature rise	≤ 55K

## ENVIRONMENTAL

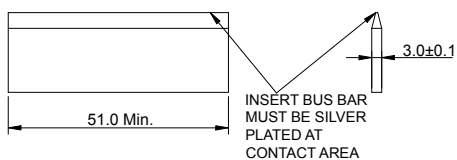
Operating temperature	-40°C to 125°C
Ambient temperature	-40°C to 70°C
RoHS	Yes

## MATERIAL

Contact	Copper alloy
Plating	Silver







## MECHANICAL

Durability	100 mating cycles
Insertion force	< 50N
Pullout force	> 10N
Matching male contact	51 x 3.0mm
Connection type	Screw connection

## ELCTRICAL

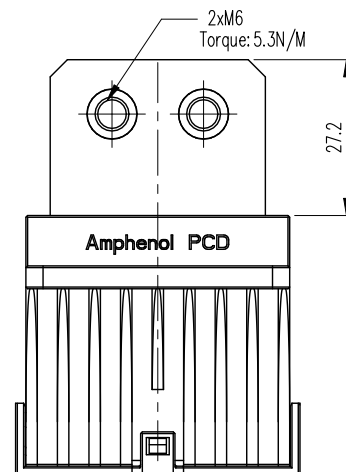
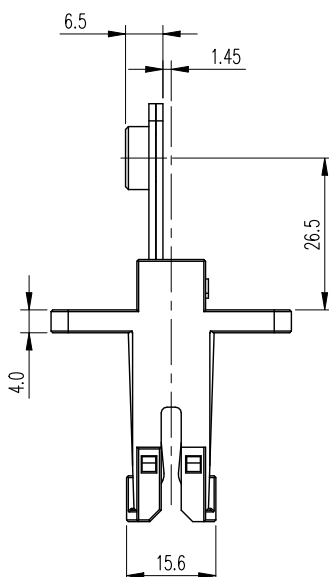
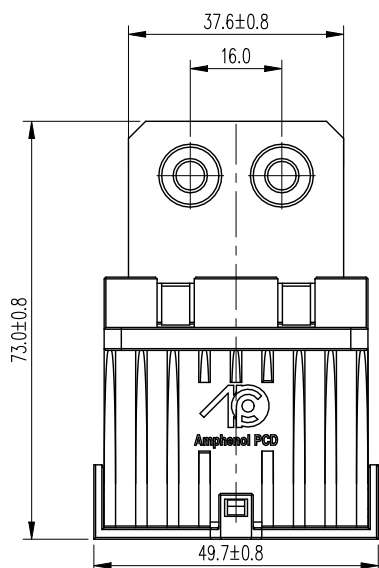
Rated current	500A Max.
Contact resistance	≤ 0.8mΩ
Temperature rise	≤ 55K

## ENVIRONMENTAL

Operating temperature	-40°C to 125°C
Ambient temperature	-40°C to 70°C
RoHS	Yes

## MATERIAL

Contact	Copper alloy
Plating	Silver



## MECHANICAL

Durability	100 mating cycles
Insertion force	< 60N
Pullout force	> 15N
Matching male contact	77 x 3.0mm
Connection type	Screw connection

## ELCTRICAL

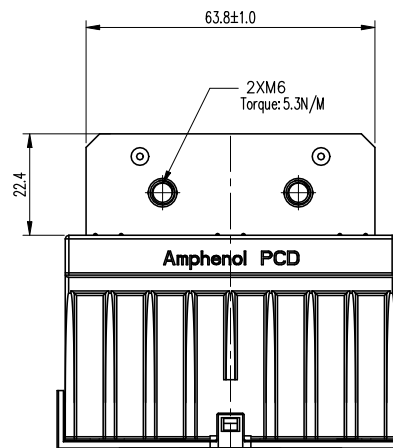
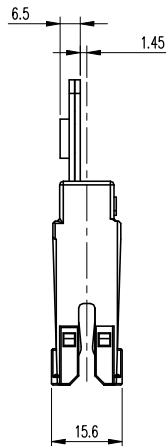
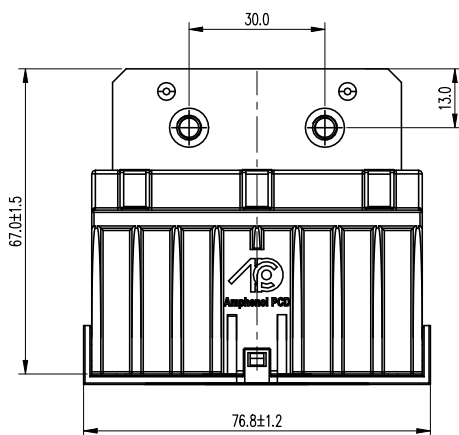
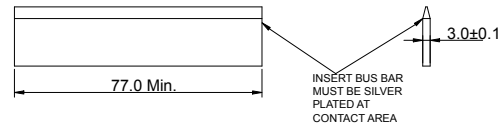
Rated current	600A Max.
Contact resistance	≤ 0.6mΩ
Temperature rise	≤ 55K

## ENVIRONMENTAL

Operating temperature	-40°C to 125°C
Ambient temperature	-40°C to 70°C
RoHS	Yes

## MATERIAL

Contact	Copper alloy
Plating	Silver

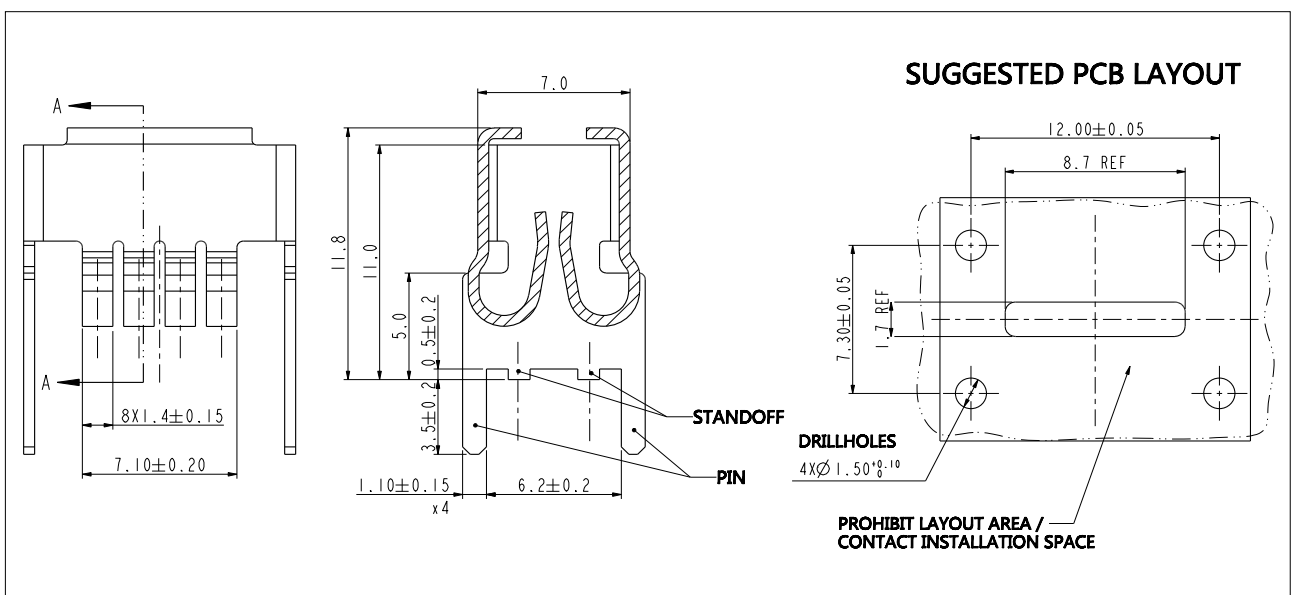
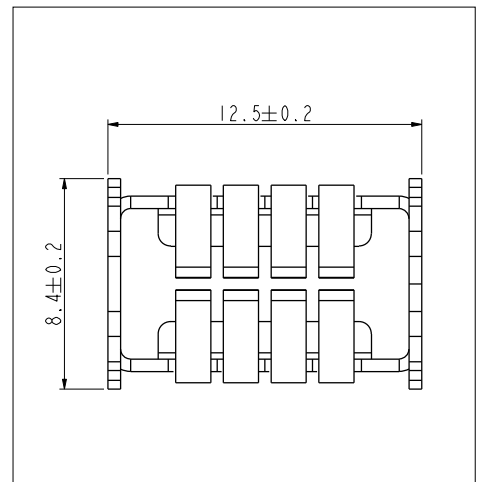


MECHANICAL	
Durability	> 50 mating cycles
Insertion force	< 35N
Pullout force	> 5N
Matching male contact	8.0 x 0.8mm
Connection type	Soldering

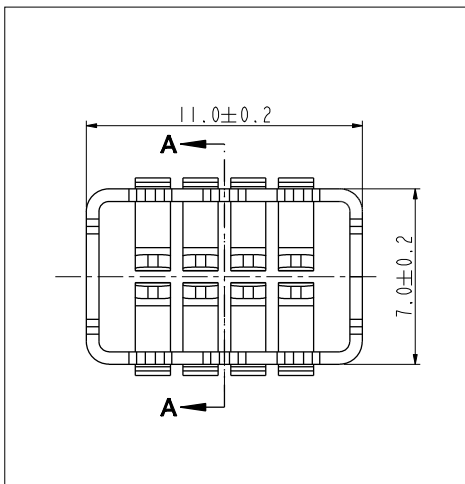
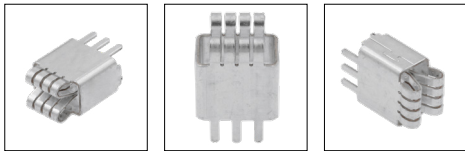
ELCTRICAL	
Rated current	80A
Contact resistance	≤ 1.0mΩ
Temperature rise	≤ 55K

ENVIRONMENTAL	
Operating temperature	-40°C to 125°C
Ambient temperature	-40°C to 70°C
RoHS	Yes

MATERIAL	
Contact	Copper alloy
Plating	Tin





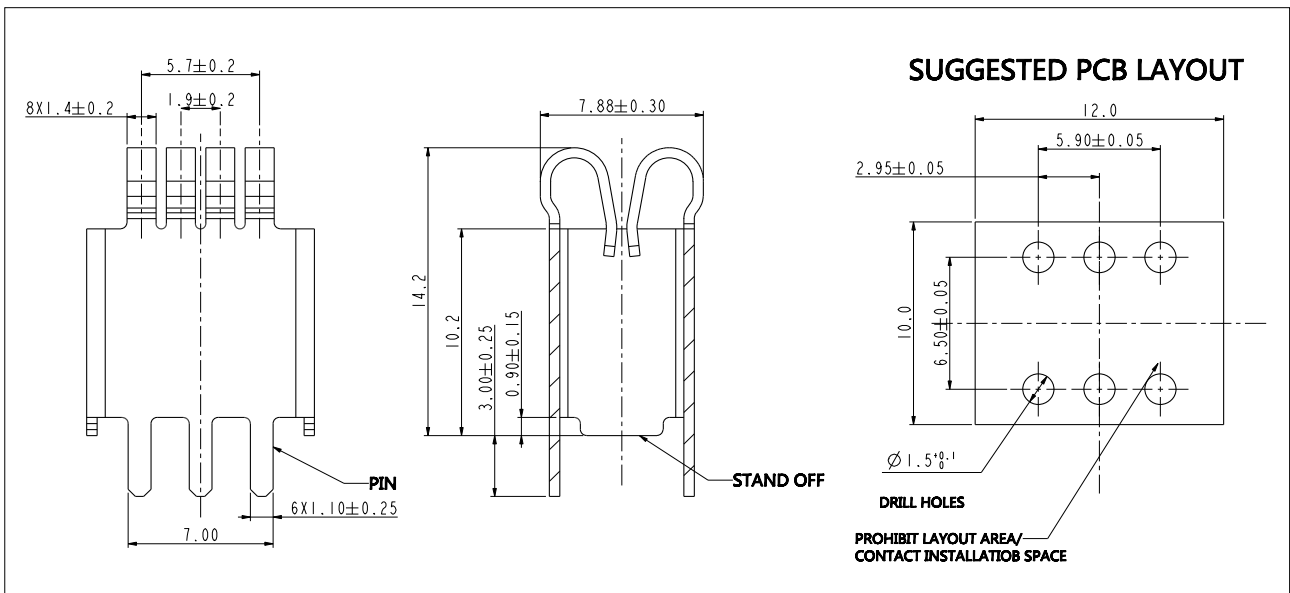


MECHANICAL	
Durability	> 50 mating cycles
Insertion force	< 35N
Pullout force	> 5N
Matching male contact	8.0 x 0.8mm
Connection type	Soldering

ELCTRICAL	
Rated current	80A
Contact resistance	≤ 1.0mΩ
Temperature rise	≤ 55K

ENVIRONMENTAL	
Operating temperature	-40°C to 125°C
Ambient temperature	-40°C to 70°C
RoHS	Yes

MATERIAL	
Contact	Copper alloy
Plating	Tin

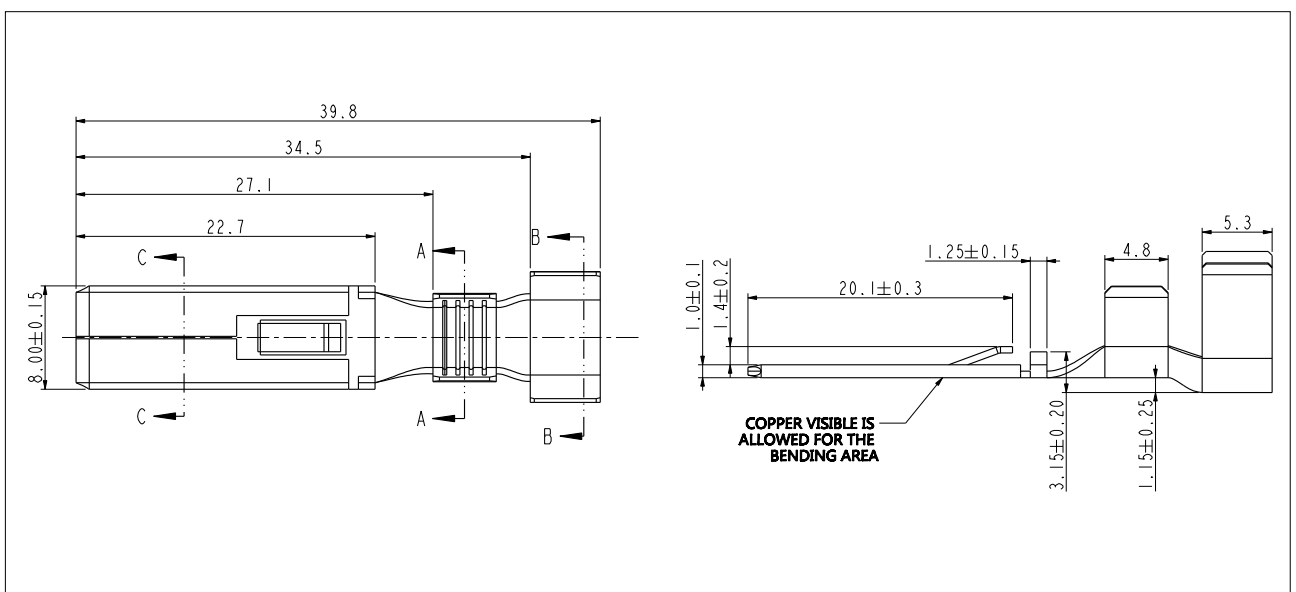
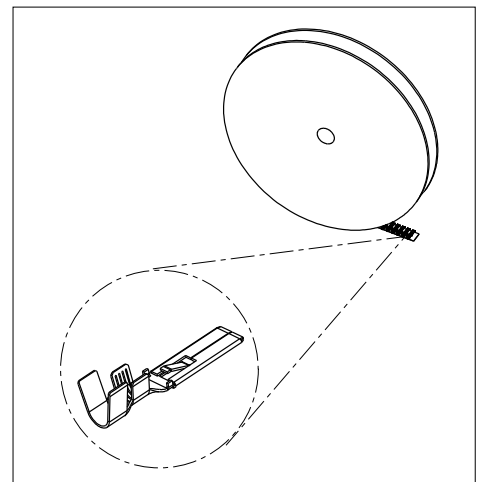


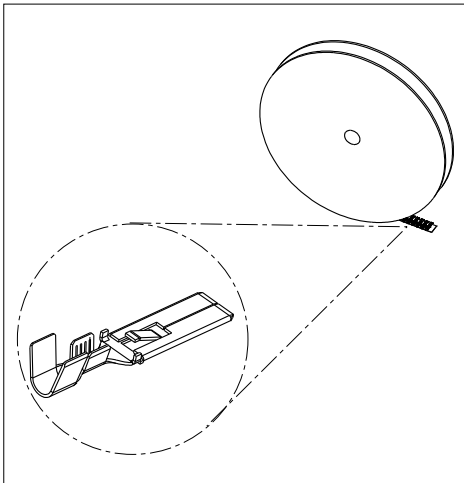
MECHANICAL	
Durability	> 50 mating cycles
Insertion force	< 35N
Pullout force	> 5N
Connection type	Crimping

ELCTRICAL	
Rated current	40A (10mm <sup>2</sup> )
Temperature rise	≤ 55K

ENVIRONMENTAL	
Operating temperature	-40°C to 125°C
Ambient temperature	-40°C to 70°C
RoHS	Yes

MATERIAL	
Contact	Copper alloy
Plating	Tin



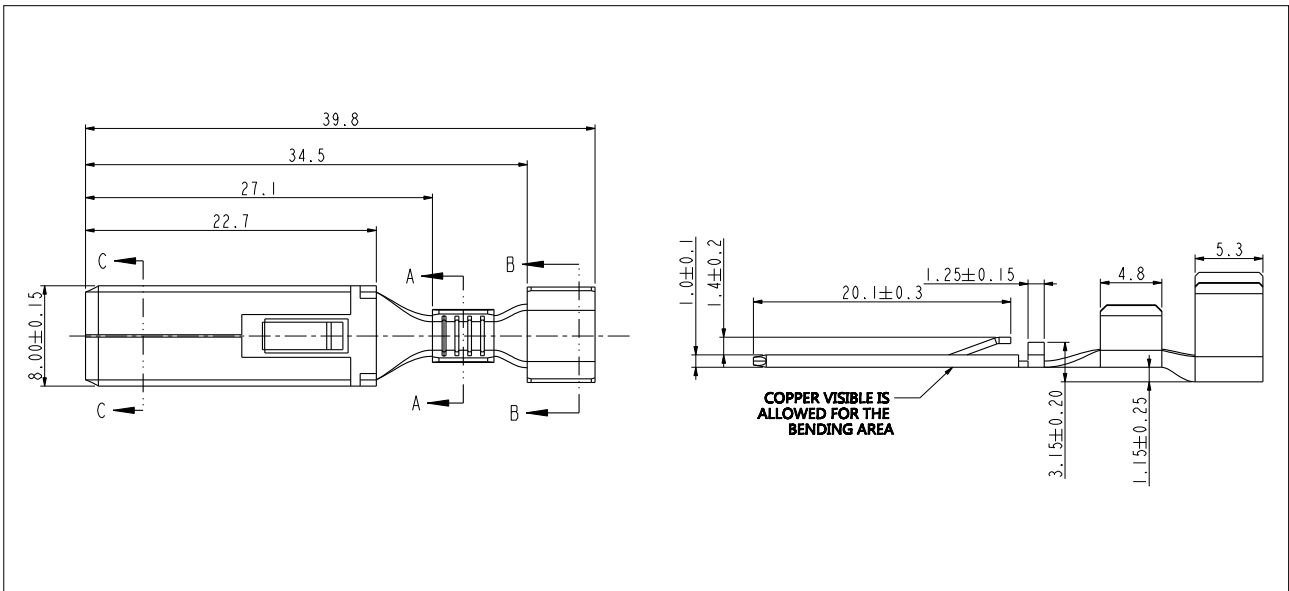


MECHANICAL	
Durability	> 50 mating cycles
Insertion force	< 35N
Pullout force	> 5N
Connection type	Crimping

ELCTRICAL	
Rated current	30A (4mm <sup>2</sup> )
Temperature rise	≤ 55K

ENVIRONMENTAL	
Operating temperature	-40°C to 125°C
Ambient temperature	-40°C to 70°C
RoHS	Yes

MATERIAL	
Contact	Copper alloy
Plating	Tin



Amphenol PCD Shenzhen

Building C  
Dagang Industrial Zone  
Guangming District  
Shenzhen 518132  
China

Tel.: +86 755-8173-8000  
Email: [inquiry@amphenolpcd.com.cn](mailto:inquiry@amphenolpcd.com.cn)

[www.amphenolpcd.com.cn](http://www.amphenolpcd.com.cn)

Notes:

Amphenol PCD Shenzhen has made every effort to ensure that the information contained in this catalog is accurate at the time of publication. Specifications or information stated in this publication are subject to change without notice.

Amphenol PCD Shenzhen reserves the right to clarify this catalog.